

**KOMPLET LIFTING TOWER:**
**TECHNICAL INFORMATION**

Komplet Lifting Tower.

Designed to be used temporarily for installation, inspection and maintenance work on vertical surfaces.

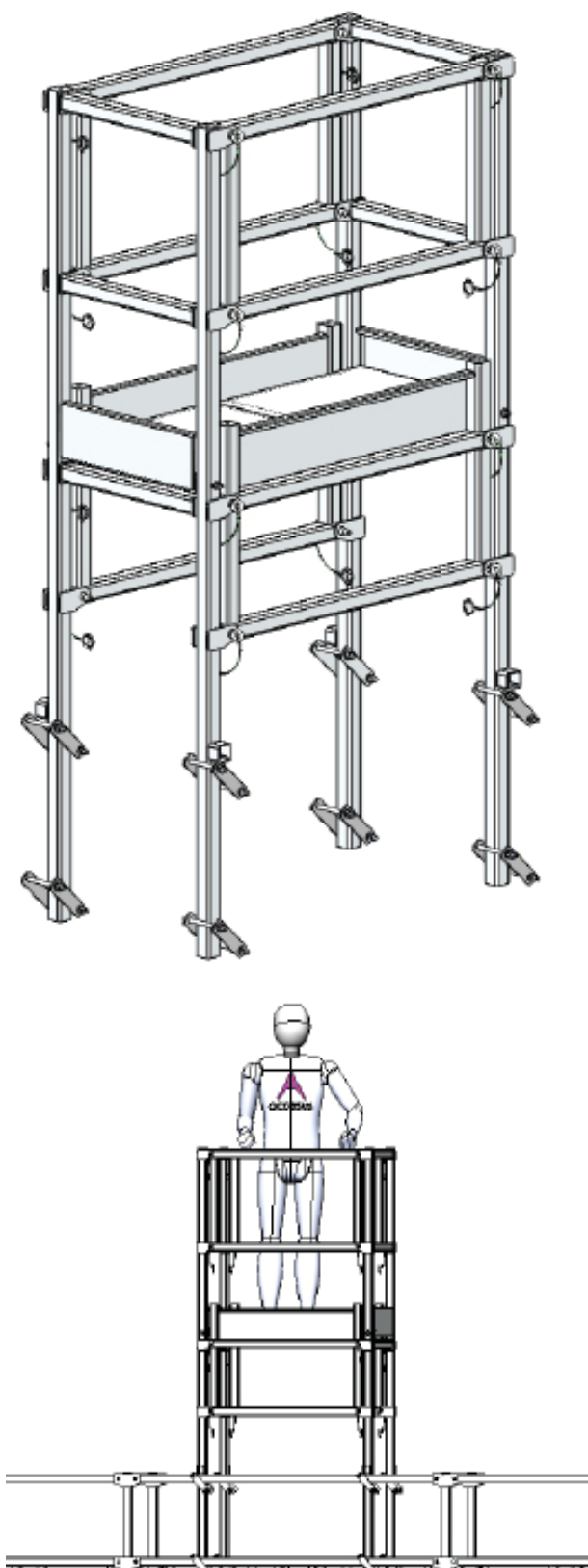
It is a very useful accessory for carrying out work in inaccessible or elevated areas, where the Komplet platform alone cannot reach, allowing access to places that are difficult to access without any obstacles.

It incorporates mobile flanges to adjust to the Komplet platform.

Personnel must always access the Komplet lifting tower from the inside of the Komplet platform, first of all from underneath it; they must never access it from outside the lifting tower or from outside the Komplet platform's railings.

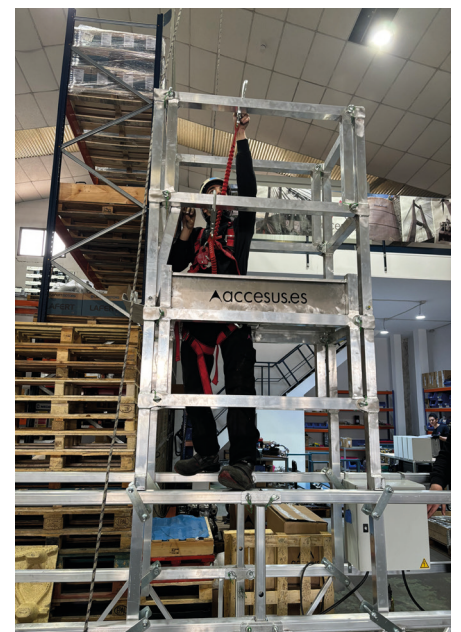
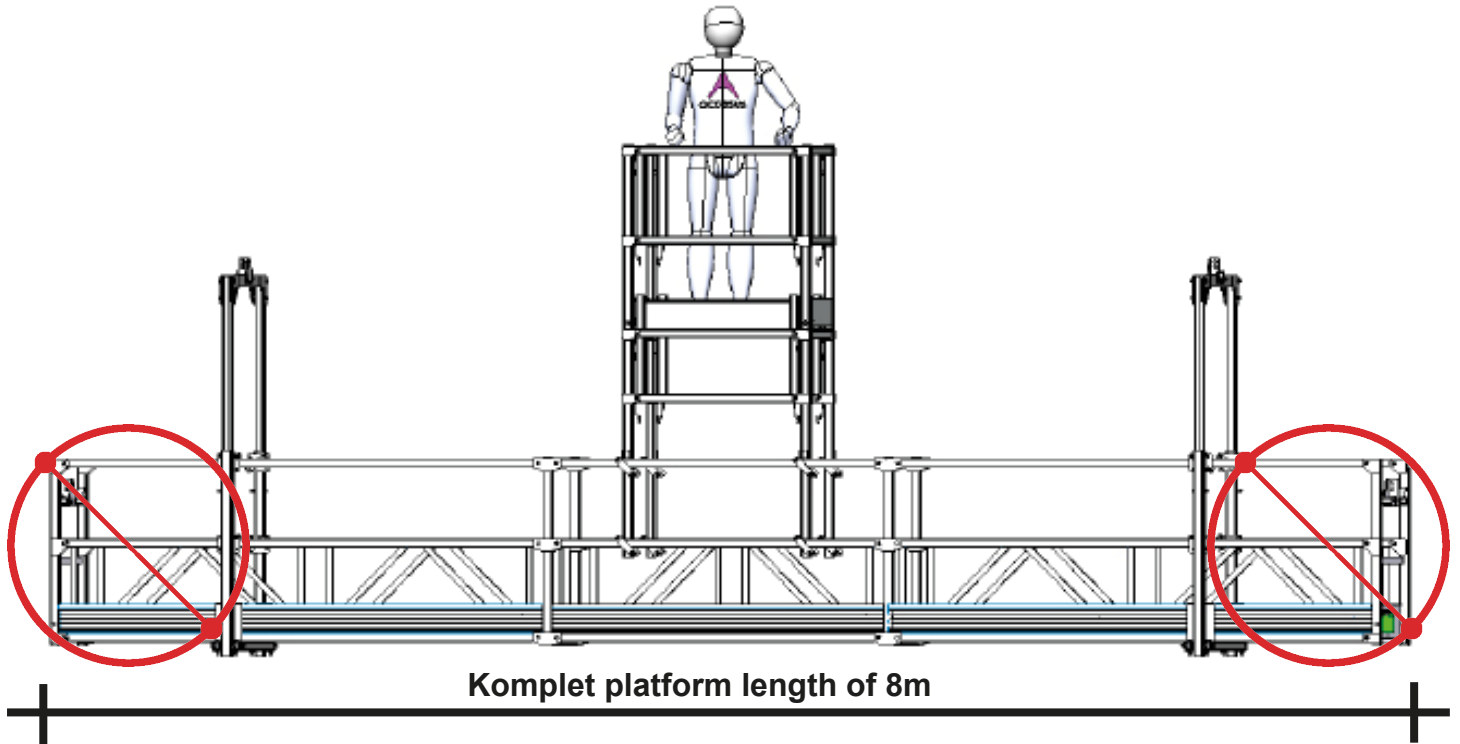
**TECHNICAL CHARACTERISTICS:**

- 1 person or loads up to 120 Kg
- 61 kg, 2405 x 1123 x 600 mm
- Constructed of aluminium, 6061 alloy
- Removable: side (x2), lower front (x2), floor (x2) and upper side (x2) connected by pins and screws.
- Compatible with 8m long Komplet platform and high pitch intermediate loops.
- It must be installed between the high step louvers, never on the overhangs of the Komplet platform.
- CE-certified



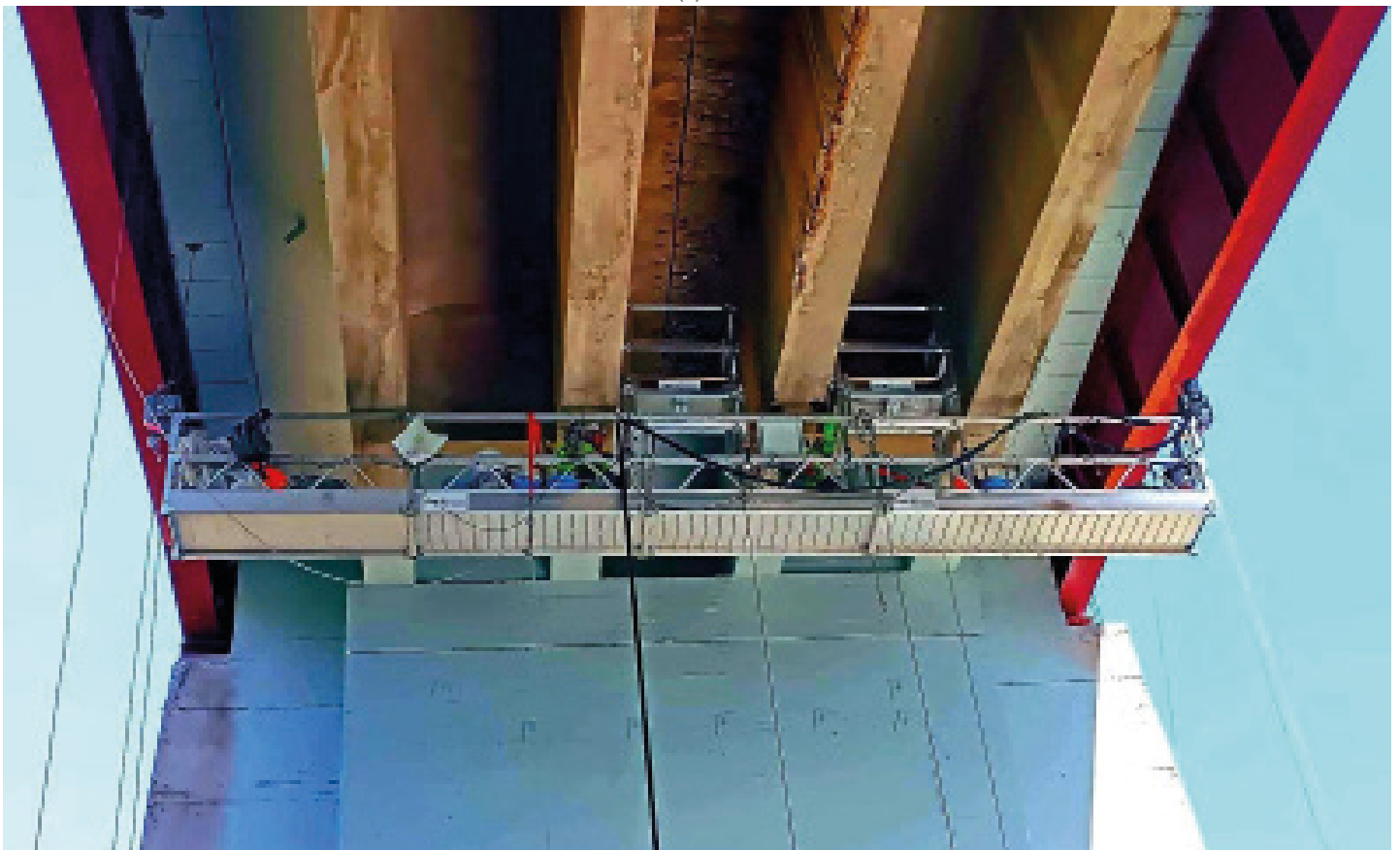
The configurations for which the Komplet Lifting Tower is designed must be observed. These are, as indicated in the technical information, as follows:

- It is only possible to install the Komplet lifting tower on an 8m long Komplet platform.
- The Komplet platform must be fitted with high intermediate high step lugs.
- The Komplet lifting tower must be installed between the high intermediate louvers, never on the overhangs of the Komplet platform.
- The Komplet lifting tower must be accessed from the inside.





(\*)



(\*)

(\*) Configuration not in accordance with the instructions in the operating manual and in this technical data; incorrect assembly.