



ATURA SAFETY DEVICE 121001

TECHNICAL INFORMATION

The ATURA safety device is designed to prevent the load from falling in the event of a motor or lifting cable failure. It is intended for use with lifting equipment for people as well as combinations of equipment for lifting people and loads.

It can be combined with the LEVA hoist or hoists of any other model or brand.

This device activates automatically in case of excessive load speed, excessive tilt, or pressing the emergency stop button. Once the ATURA fall arrest is activated, resetting it will always require a manual and voluntary action.

The pass-through cable working system allows for unlimited working height by simply increasing the length of the safety cable.

Advantages:

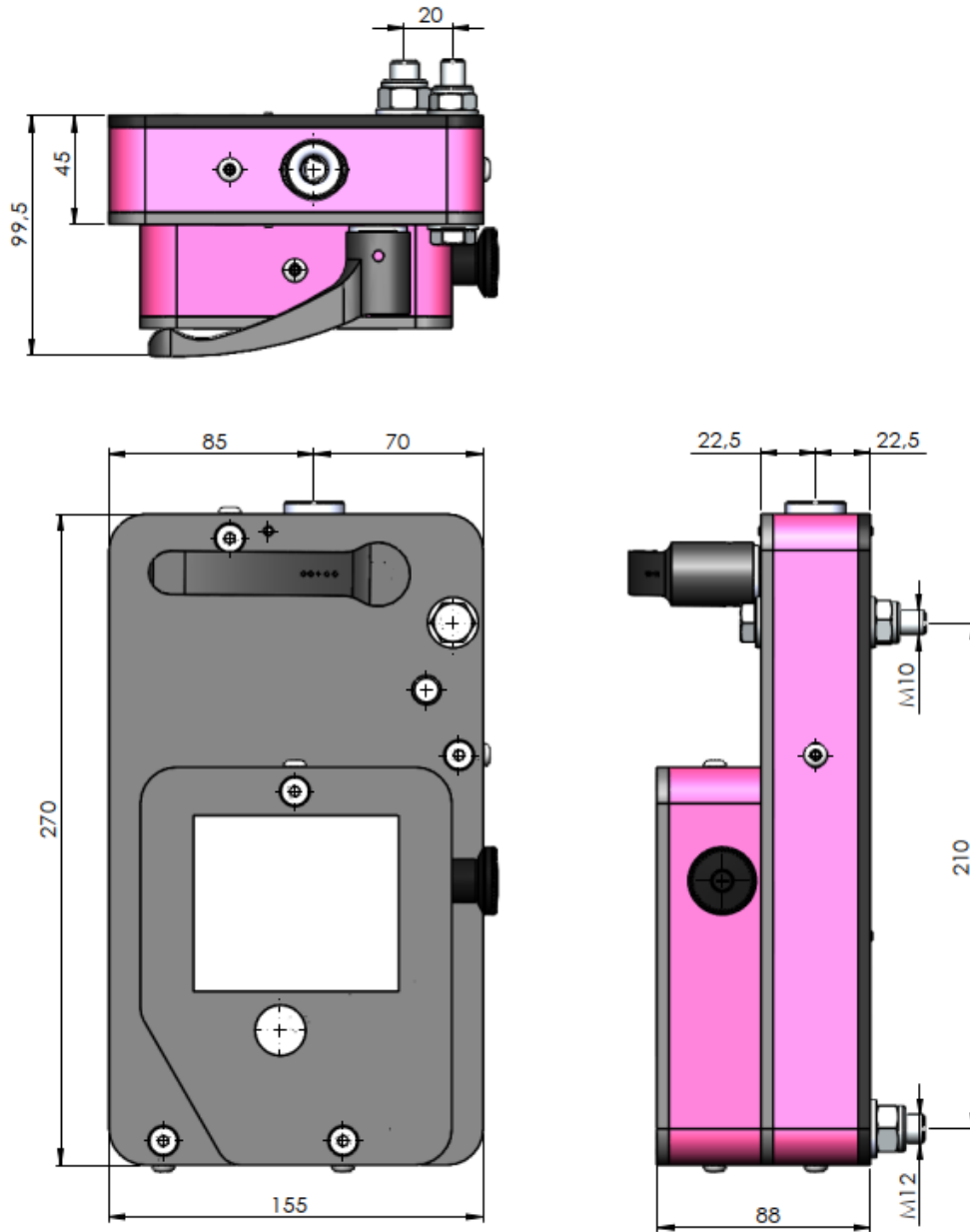
- Automatic cable pass-through
- Unlimited working height
- Different levels of security
- Lightweight and ergonomic

Safety features:

- Activation due to overspeed
- Activation due to excessive tilt
- Emergency stop button
- Manual reset



GENERAL DIMENSIONS



Type	Atura 500
WLL (kg)	500
Weight (kg)	7.25
Operating temperature (°C)	-10 / +55
Operating speed (m/min)	8
Ø and cable type (mm)	Ø8.3 - 5x19 o 5x26, with synthetic core
Minimum cable breaking load (kg)	4800
Screws A1-A2	M10 8.8 & M12 8.8