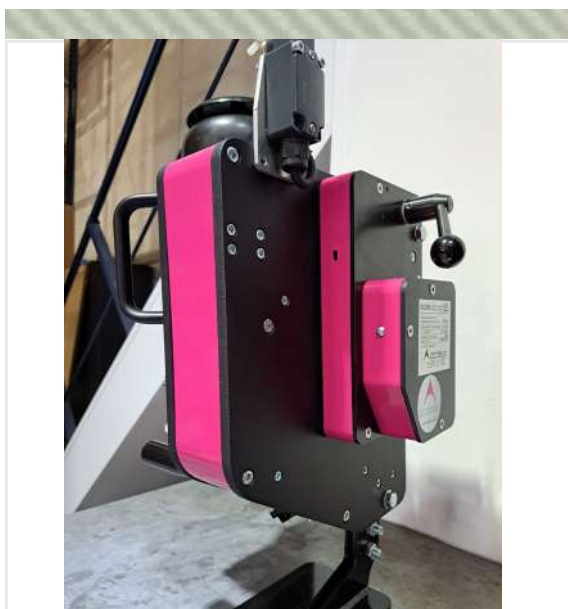
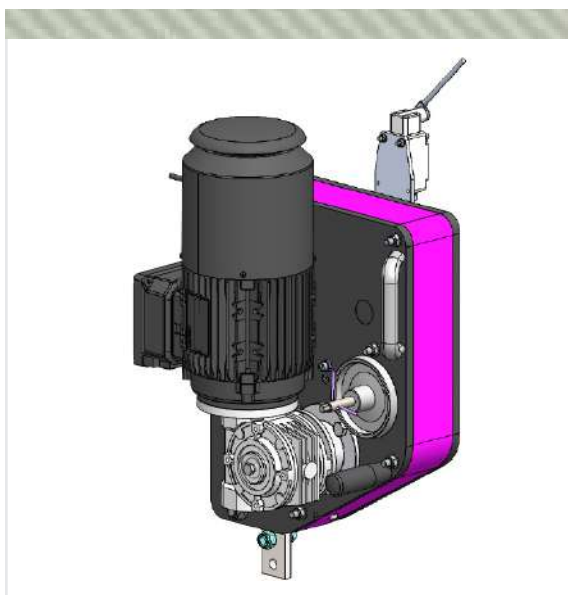




LIFTING DEVICE: ACCESUS LEVA ELECTRIC HOIST



TECHNICAL INFORMATION

Electric hoist for suspended platforms, baskets and individual chairs.

The LEVA electric hoist is specially designed and certified for lifting persons in accordance with EN 1808.

Electric hoist with automatic cable passage and unlimited working height with a **load capacity of 500 kg**.

It can be combined with various types of platforms, including Accesus Basic, Accesus Komplet and other special platform types.

The LEVA hoist is equipped with all the necessary safety systems for lifting people: emergency lowering, electromagnetic brake, load limiter, thermal sensor protection and limit switches.

The through cable working system allows **unlimited working height** by simply using a longer cable length.

The LEVA electric hoist is robust, reliable, easy to maintain and its compact design makes it easy to transport.

To ensure the safety of individuals, it employs a double cable system combined with anti-fall devices.

Advantages:

- Simplified overload adjustment.
- Automatic overload light signal.
- Made of aluminium and corrosion resistant.
- Automatic cable routing.
- Unlimited working height
- Constant lifting force and speed.
- Quick access to electrical and mechanical components.



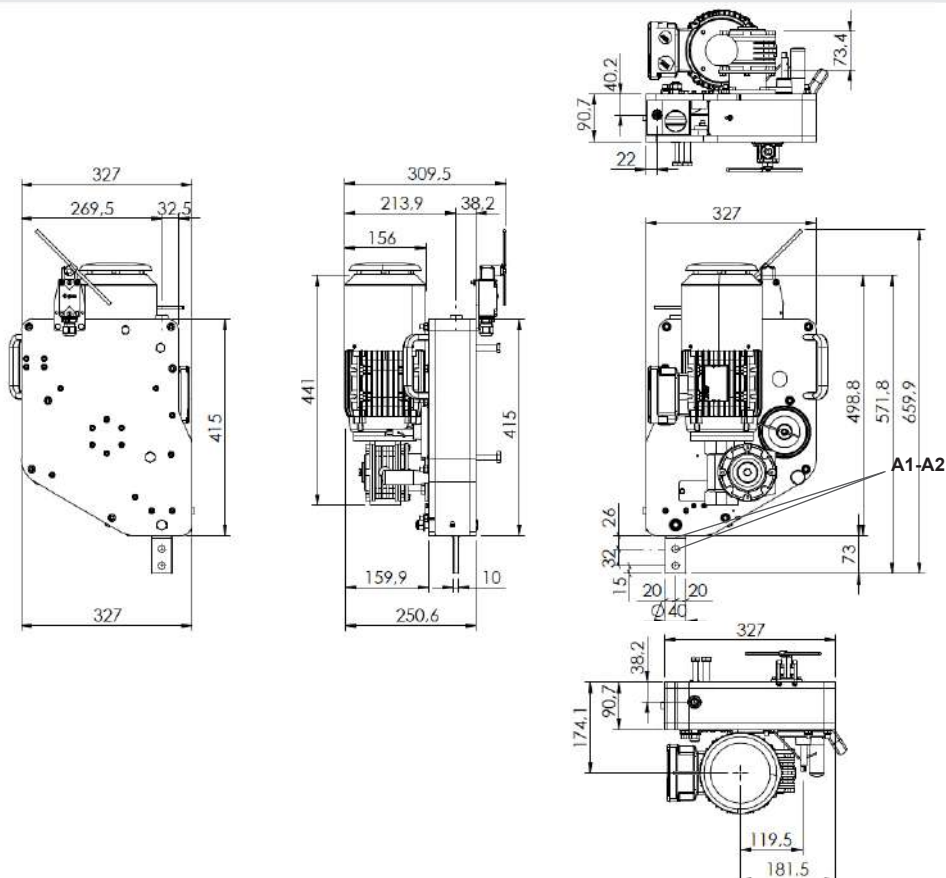
LIFTING DEVICE:
ACCESSUS LEVA ELECTRIC HOIST

SAFETY DEVICES

- Overload detector, stops the movement in case of overload.
- Electromagnetic brake, brakes the motor shaft when it is not energised.
- Thermal sensor, protects the motor in case of overheating.
- Upper limit switch, stops the upward movement.
- Emergency lowering, allows lowering in case of power failure.
- Cable safety factor.

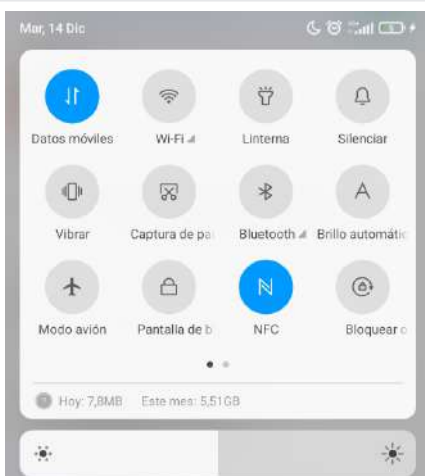
TECHNICAL CHARACTERISTICS

Tipo	Leva 500	Leva 501	Leva 502
CMU/WLL (kg)	500	500	500
P of the motor (kW)	0.75	0.75	1.1
Voltage(V)	380-415 3~	220-240 3~	220-240 1~
I nominal / start (A)	3/11A	4/12 A	6/15 A
Frecuency (Hz)	50/60	50/60	50
Weight (kg)	43	43	43
T° of use (°C)	-10 / +55	-10 / +55	-10 / +55
Working speed (m/min)	8	8	8
Velocidad de descenso de emergencia (m/min)	4,5	4,5	4,5
Ø and type of cable	Ø8,3 - 5x19 o 5x26, with a synthetic soul	Ø8,3 - 5x19 o 5x26, with a synthetic soul	Ø8,3 - 5x19 o 5x26, with a synthetic soul
Min. cable breaking load (kg)	4800	4800	4800
Noise emission (dB(A))	70	70	72
A1-A2 (mm)	32	32	32
Srew A1-A2	M12 8.8 Ø12,5	M12 8.8 Ø12,5	M12 8.8 Ø12,5





LIFTING DEVICE: ACCESUS LEVA ELECTRIC HOIST



On-screen display of NFC technology activation via mobile phone or tablet.



On-screen display of the manual through NFC reading with mobile or tablet.



NFC tag on the Accesus LEVA electric lift.

MORE INFORMATION CLOSER TO YOU

The **NFC technology**, visible on the label of Accesus equipment, allows all these devices (mobile phones, tablets, etc.) to access to technical documentation such as the manual.

In addition, combined with the Accesus equipment maintenance software, V.acces, NFC technology allows the reading of a device such as LEVA to access the history of revisions carried out on that specific device, as well as the possibility of documenting a new complete revision.

ACCESS TO THE MANUAL

To access the manual, simply activate the NFC function of your device from the toolbar, as shown in the first image. Once activated, bring the device close to the label attached to the Accesus equipment. The manual will automatically appear on the screen of the device, as shown in the second image, which can also be downloaded.

PERSONALISE IT WITH YOUR CORPORATE COLOUR

Accesus offers you the possibility of customising your LEVA lifts with the corporate colour and logo of your company.

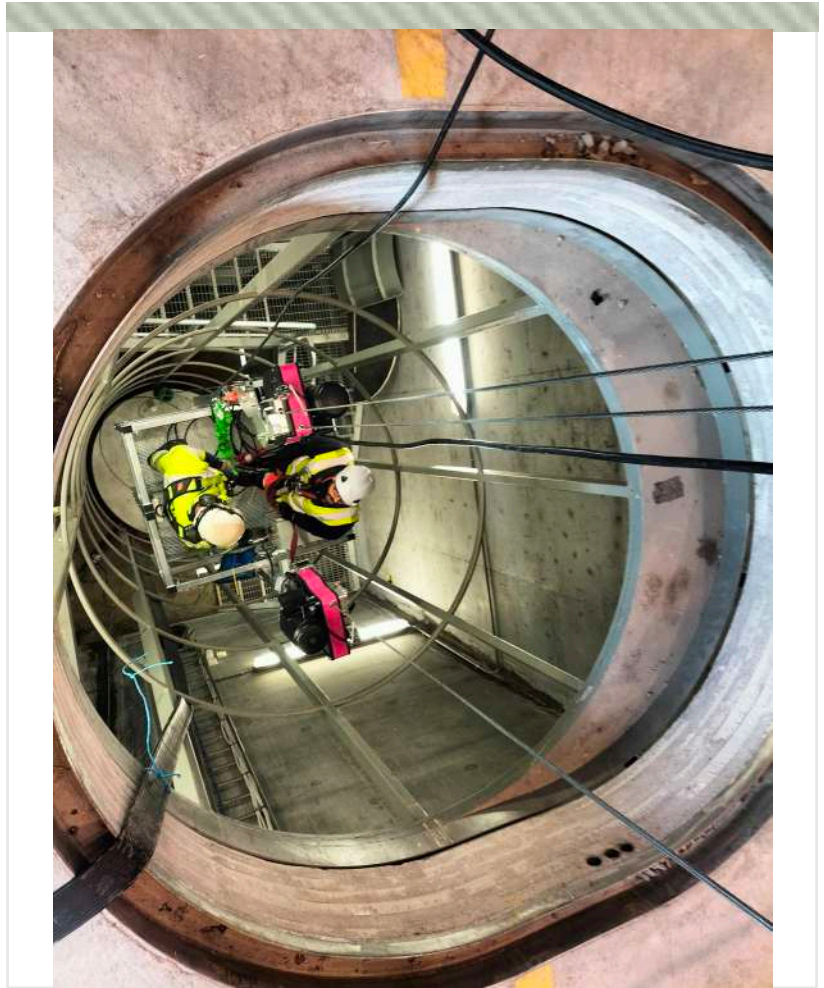
Ask our sales team for more information.



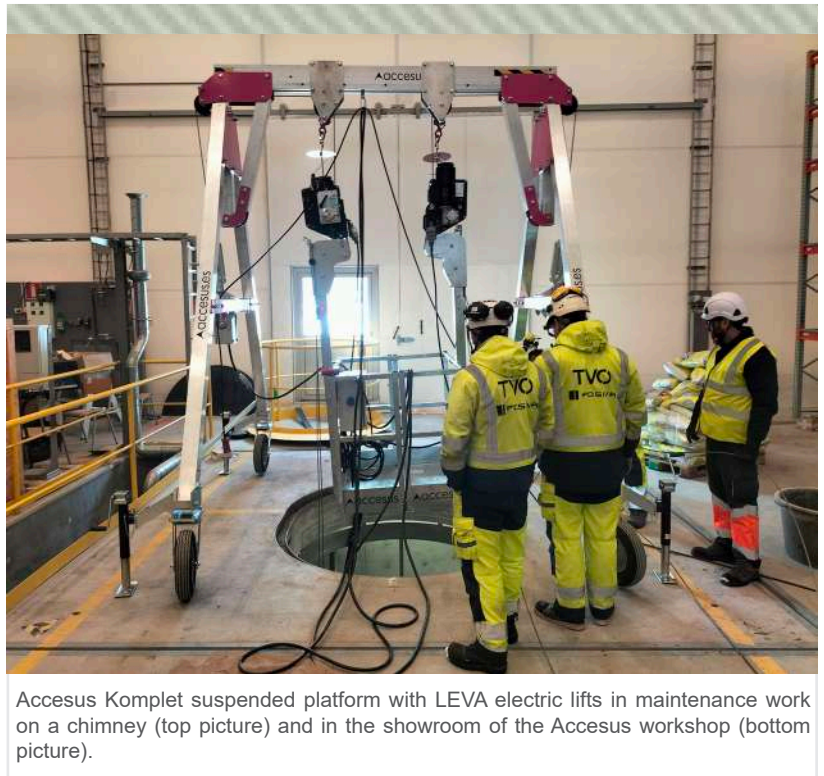
Accesus personnel carrying out an inspection of a lift-rescuer with V.acces software.



Examples of customisation of the LEVA hoist for a customer with their corporate colour on an Accessus Komplet suspended scaffold.



LEVA electric lift on suspended platform Accessus Basic.



Accessus Komplet suspended platform with LEVA electric lifts in maintenance work on a chimney (top picture) and in the showroom of the Accessus workshop (bottom picture).

