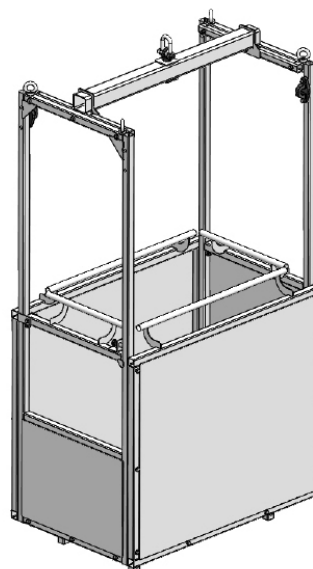
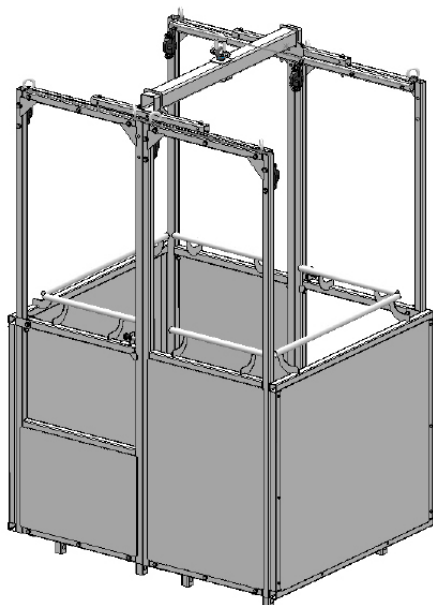
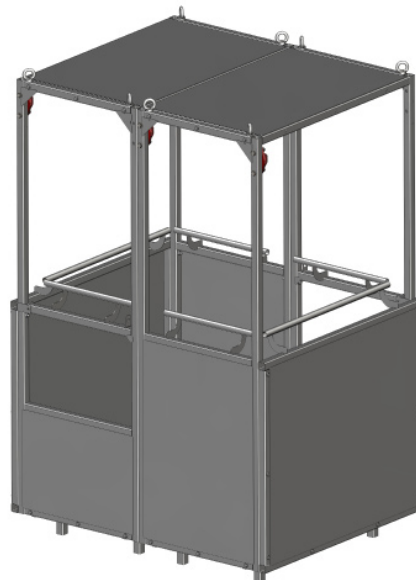
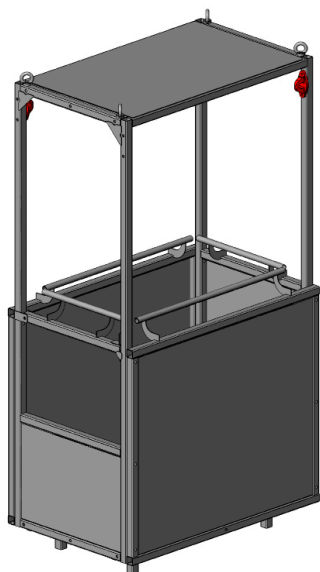




CRADLE FOR CRANE CG300 y CG600



**TRANSLATION OF THE ORIGINAL
OPERATING INSTRUCTIONS MANUAL**
This manual must be always available for the user.
Additional copies may be obtained on request.

Index:

1-Information for this manual	4
2-Explanation of symbols used in this manual	4
3-General	5
3.1-Glossary	5
4-Previous instructions and warnings.	6
5-Machine's description	9
5.1-Area of application	9
5.2-Equipment.	9
5.3-Main components.	10
6-Setting up	11
6.1-Configuration / dimensions	11
6.2-Assembly of the platform	13
6.3-Accessories for lifting the load	15
7-Safety devices	17
7.1-1.1m Handrail	17
7.2-1m Baseboard	17
7.3-Anti slipping floor	17
7.4-Anchoring points under EN795	17
7.5-Legs	17
7.6-Ceiling	17
8-Operating the platform	18
8.1-Preliminary checks	18
8.2-Specific test	19
8.3-Rated capacity	20
8.4-User Information	20
9-Residual risks not covered by the design of the cradle	22
10-Maintenance	22
10.1-Annual check	22
10.2-Regular maintenance	22
11-Spare parts	22
11.1-Nameplate and labels.	23
12-Historic	24



DANGER

Risk of wounds and injuries due to fall of objects, failure, incorrect application and / or incorrect utilization.	Read the whole operating instructions manual before the assembly and set up of the platform. Follow the instructions and procedures described in this manual in order to ensure a safe utilization of the equipment.
---	--

1-Information for this manual:

Date of edition: 5th Edition: 04/2023	Manufacturer: ACCESUS GROUP, S.L. C/Energía 54, 08940 Cornellà de Llobregat (Barcelona) SPAIN Telf.: (+34) 93 475 17 73 www.accesus.es accesus@accesus.es
Copyright: All rights reserved.	

2-Explanation of symbols used in this manual.



DANGER

Type and origin of danger	Result: fatal or serious injuries.
	-Solutions to eliminate the danger.



IMPORTANT

Type and origin of danger	Result: for example damage to machines or the environment.
	-Solutions to eliminate any possibility of accidents.



NOTE

Useful tips for optimum working. Instructions to operation / documentation in writing.

3-General:

This operating instructions manual is destined to the workers of the described machine. This operating instructions manual must be accessible to workers everytime. Request more copies if it's necessary.

ACCESUS GROUP S.L. saves the rights to modify the product described in this manual as a part of his continued improvement.

The clients can obtain more information about other ACCESUS products throught address described at section 1. Please, check our website: www.accesus.es.

3.1-Glossary and abbreviations used in this manual:

Cradle for crane

Device designed for the lifting of persons using a crane

W.L.L.

Working Load Limit

Crane driver

A crane driver is a professional who has enough knowledge or has obtained the necessary qualifications through training to understand the risks and avoid the danger that has the handling of a crane.

Worker.

A person who works professionally with the machine.

4-Previous instructions and warnings:

The cradle for crane is an equipment for lifting persons with machinery that is not designed for that purpose.

The use of this type of equipment is not covered by the Machinery Directive 2006/42 / EC, but it is in the rules applicable to the user.

Special attention must be paid as a result of the fact that the applicable regulations for the user is not the same in all countries of the European Union. National regulations are based on Directive 2009/104 / EC, which defines the minimum requirements.

Lifting persons with machines not designed for this purpose is discussed in section 3.1.2 of Annex II of the Directive, which states:

“Persons may be lifted only by means of work equipment and accessories provided for that purpose.

Without prejudice to Article 5 of Directive 89/391/EEC, exceptionally, work equipment which is not specifically designed for the purpose of lifting persons may be used for that purpose, provided appropriate action has been taken to ensure safety in accordance with national legislation and/or practice providing for appropriate supervision.

While workers are on work equipment designed for lifting loads the control position must be manned at all times. Persons being lifted must have reliable means of communication. In the event of danger, there must be reliable means of evacuating them.”

Legislation and / or national practice referred to in the second paragraph of section 3.1.2, can set the conditions under which an exceptional use of this type is authorized. They can also define the measures to be taken to ensure safe operations, and technical requirements relating to the material used.

- The cradle for crane is destined exclusively to a **professional use**. Must be destined only to qualified people with knowledges for set up and utilization. Workers must be prepared for works at heights. Workers must know and assimilate the Law of Labor Risk Prevention.
- The equipment must be dismantled and stored at the end of the works.
- For a safety utilization the cradle for crane requires at least 2 workers at the same time, one in the basket and the other in the command of the load lifting equipment.
- The cradle for crane can only be used by authorized staff with adequated formation and psychologically suitable. Keep out from unauthorized people.
- Before to install and use a cradle for crane is essential, for safety and efficiency, **to read and assimilate all the contents of this manual** and proceed in agreement to this instructions. Likewise, before the service, it's important to read all the labels fixed on the machine.
- This manual must be conserved in good condition and always be available for all workers.
- In case of loss or deterioration of the labels, these must be replaced before the use of the machine. Request more copies of the instructions manual and labels if it's necessary.

- The responsible company must apply the regulation of safety relative to the assembly, utilization, maintenance and technical controls referred to all the equipment. The responsible company must give the instructions to the workers and verify his aptitudes.
- Before putting in service the platform, the person in charge of work, must verify and ensure the good condition of the cradle for crane equipment.
- Don't use a cradle for crane or an accessory (wire rope, suspension points, etc.) in bad condition. A periodic control of the machine by an authorized person is essential for safety. The maintenance not described in this manual must be realized by the manufacturer or by an authorized repairer.
- Don't use the equipment for other uses than the indicated in this manual. The manufacturer can't guarantee the product for other configurations not described in this manual. For other applications consult the manufacturer or a professional specialized technician before proceeding to assembly the equipment.
- **Don't use the cradle for crane beyond the limits of utilization** described in this manual and specially don't exceed the rated load of use indicated in the labels.
- The manufacturer declines any responsibility for the consequences of a disassembly of the devices, modifications or manipulations, specially in case of substitution of the original pieces by others from different origin.
- The cradle for crane has a life of 10 years. This duration is based on a utilization of the platform of 200 hours per year and with the condition that the annual reviews effect.
- A special care is needed by dangers that will appear when the cradle for crane is over water, public areas or where it's not possible to get the platform down to a safe position.
- Don't use the cradle for crane in severe conditions such as atmospheric extreme conditions, corrosive environments, magnetic fields, explosive atmospheres (ATEX), works under tension, works in confined spaces, etc.
- Don't use the cradle for crane for loads which can generate dangerous situations (for example: molten metal, acids, radioactive materials, etc.).
- A special care is needed by dangers that will appear when the loads are manipulated.

- In some countries of the European Union is obligatory an inspection before the putting in service of a new work. This control must be realized by an authorized organism.

- It is forbidden the use of the cradle for crane if wind speed is equal to or greater than 50 km / h (14 m/seg).

- The types of cranes compatible with the CG crane basket are any type that meet the following conditions:

- The load to be lifted, including people, materials and the basket's own weight, should be a maximum of 50% of the maximum nominal load capacity of the crane for fixed cranes and 40% for mobile cranes in the most unfavorable configuration foreseen in its use.

- The maximum rated load capacity of the crane must be at least 1000kg.

IMPORTANT:

If you entrust this equipment to subcontracted personnel you have to apply and check his obligations about safety at work, specially for verifications and tests before the putting in service.

RISK ASSESSMENT:

According to 92/57/CEE, each contractor shall prepare a **Safety and Health** plan at work which analyse, study, develop and supplement the provisions contained in the study or basic study, based on their own system of execution of the work.

5-Machine's description.

5.1-Area of application.

The machine described in this manual is destined to be used temporary for transportation of workers and inspection and maintenance work from the basket itself.

The platform remains excluded for:

-Explosive atmospheres (ATEX).

5.2-Equipment

The equipment described in this manual is composed by a cradle for crane, for lifting by lifting machinery.

The cradle is equipped with the following safety devices

-1.1m Handrail,

-1m Baseboard,

-EN 795 anchorage points,

-Protective roof (optional depending on the model). In case of risk of falling objects on the cradle, you must take a roof.

-Lifting accessory:

-For cradle with protective roof: 4-strands octopus of Ø10mm wire rope sling, 1.5m length, shackles with nut and pin and lifteye.

-For cradle without roof protection: single sling Ø12mm, length 1.5m, without roof.

In addition, the cradle has access door with automatic closing and locking.

The equipment described in this manual comprises the components described in section 5.3 of this manual. It includes lifting accessory.

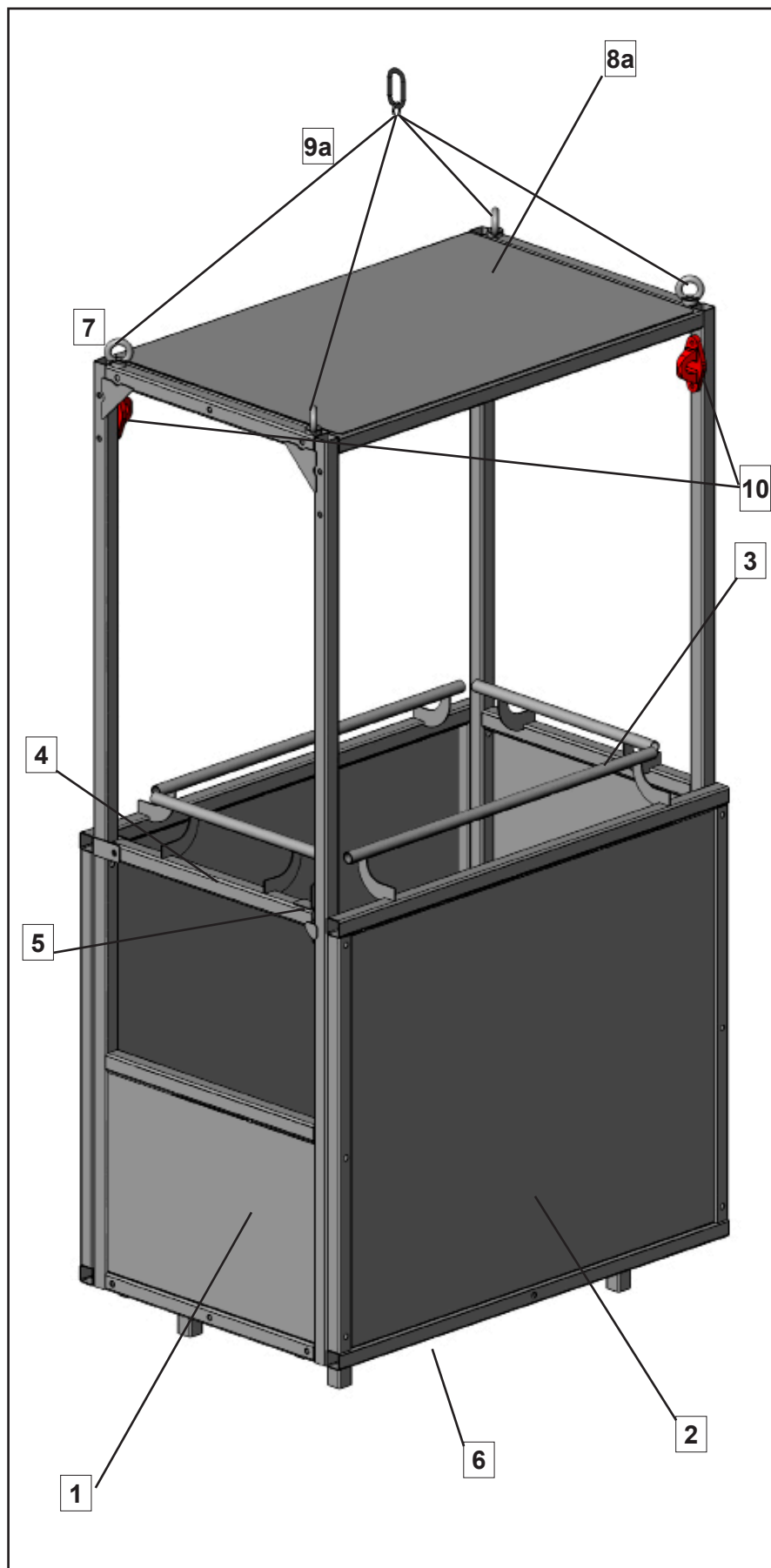
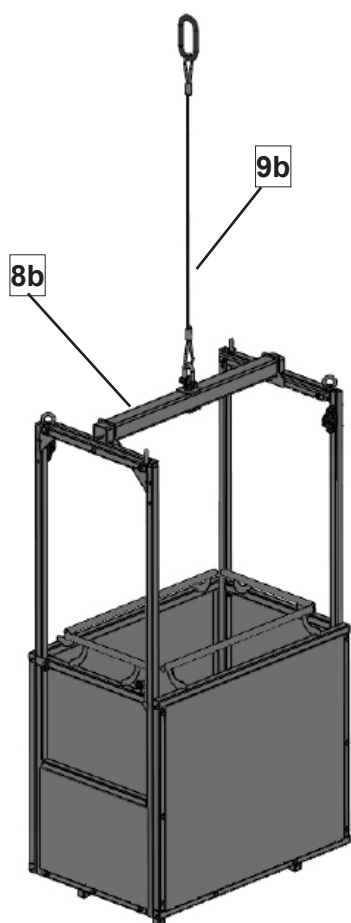
If this equipment does not adapt to your needs, ACCESUS can advise in the correct choice of a TSP for your specific case. If it's necessary we can design a bespoke solution for you.

The cradle for crane CG300 and CG600 are in accordance with UNE-EN 14502-1.

5.3-Main components

The main components are:

- 1-0.5m Baseboard + door,
- 2-1m Baseboard,
- 3-1.1m Handrail,
- 4-Access door,
- 5-Closure & automatic block,
- 6-Floor,
- 7-Eyebolt,
- 8a-Protection roof.
- 8b-Central support.
- 9a-4-strands octopus of Ø10mm wire rope sling, 1.5m length, shackles with nut and pin and lifeye,
- 9b-Single rope lifting sling Ø12mm, length 1.5m, with shackle with nut and pin and lifeye.
- 10-EN 795 anchorage points.

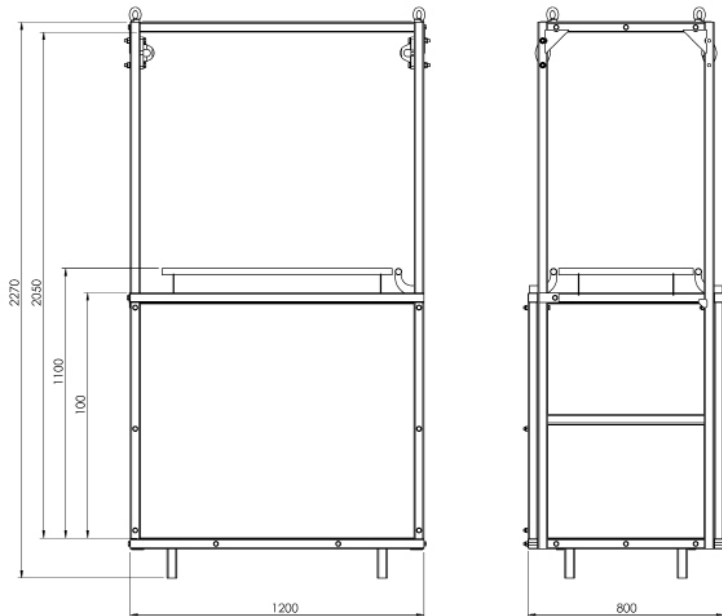


6-Setting up

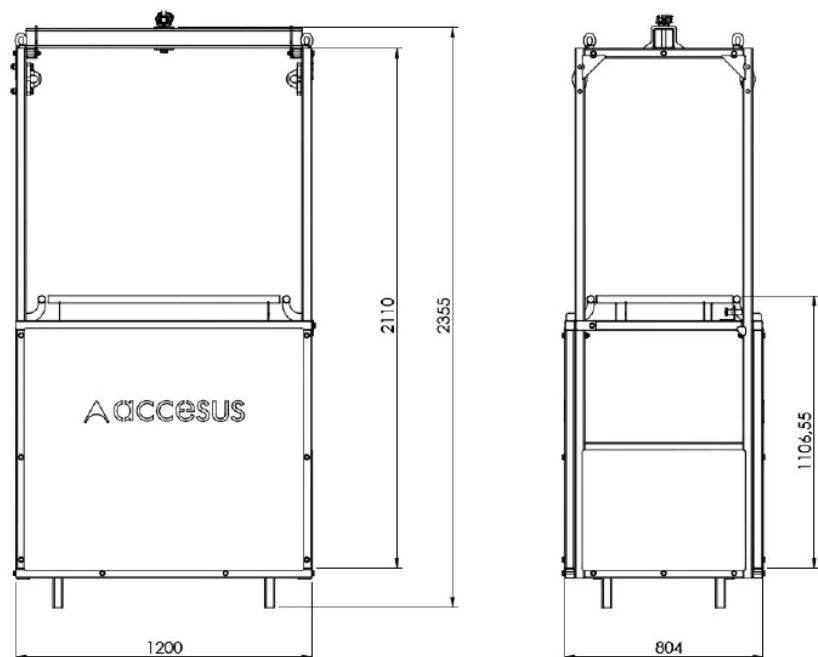
6.1-Configurations

The equipment cradle for crane is a equipment with two basic configurations, for two and five people. The overall dimensions of both configurations are:

CG300 model with protective roof, for 2 persons

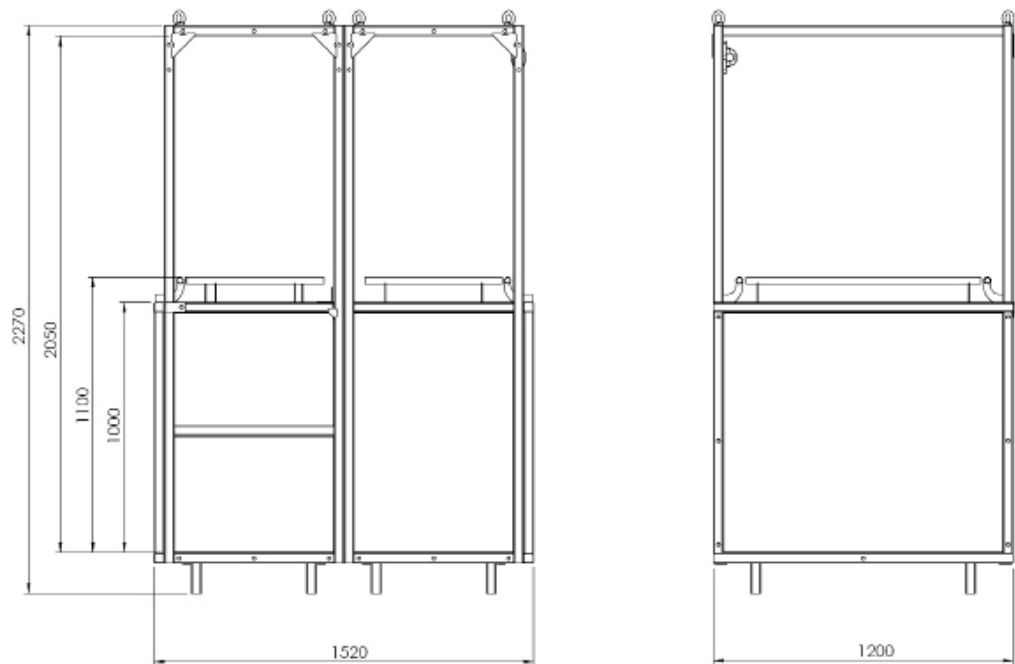


CG300 model without roof protection, for 2 persons

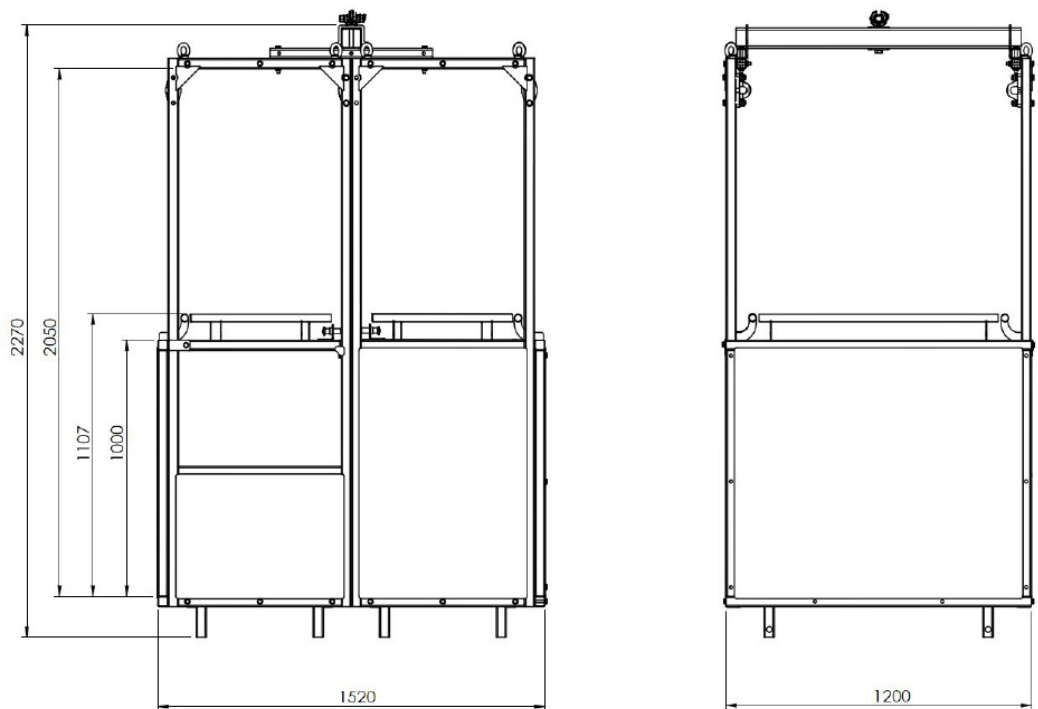


CRADLE FOR CRANE CG300 AND CG600

CG300 model with protective roof, for 5 persons



CG600 model without roof protection, for 5 persons



For other dimensions and / or configurations consult Accesus

Load capacity and dead weight of the cradle are as follows:

Model	CG300	CG600
Number of people	2	5
Weight load capacity	300 kg	600 kg
Dead weight	150 kg	250 kg

6.2-Assembly of the crane



IMPORTANT

Risk of wounds and injuries due to fall of objects, fall from different level and / or breaks.

Danger of death due to fall of objects, fall from different level and / or breaks.

-Before the assembly of the crane ensure that the structure is in proper condition and that the screws are quality 8.8.

Assembly of the CG300 model cradle.

List of materials and tools necessary for the assembly:

Torque and ratchet wrenches for M10 hexagonal screws. 2 people. Fasteners setting (the next list is referenced at the assembly's description).

	DESCRIPTION	INDICATIVE TORQUE SETTING	U.
T1	DIN931 M10x100 8.8 Screw+ DIN985 Nut + 2 DIN125 Washers	36 Nm	28

For cradle's assembly with 2 person follow the next steps:

1-Assemble the high side panel (4) to the low side panel (2) with 3 T1 fasteners.

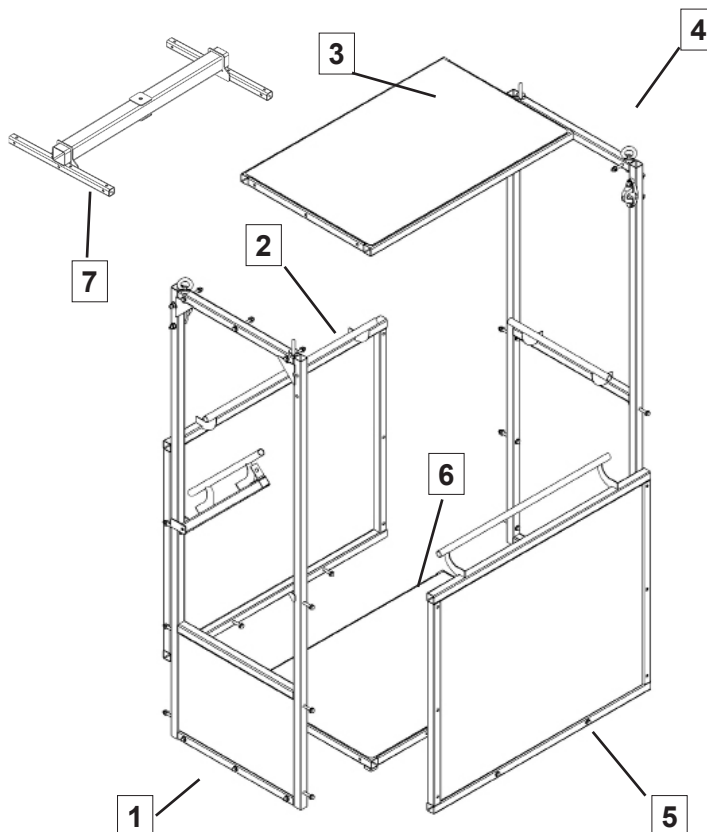
2-Assemble the floor panel (6) with 5 T1 fasteners.

3-Assemble the other low side panel (5) with 5 T1 fasteners.

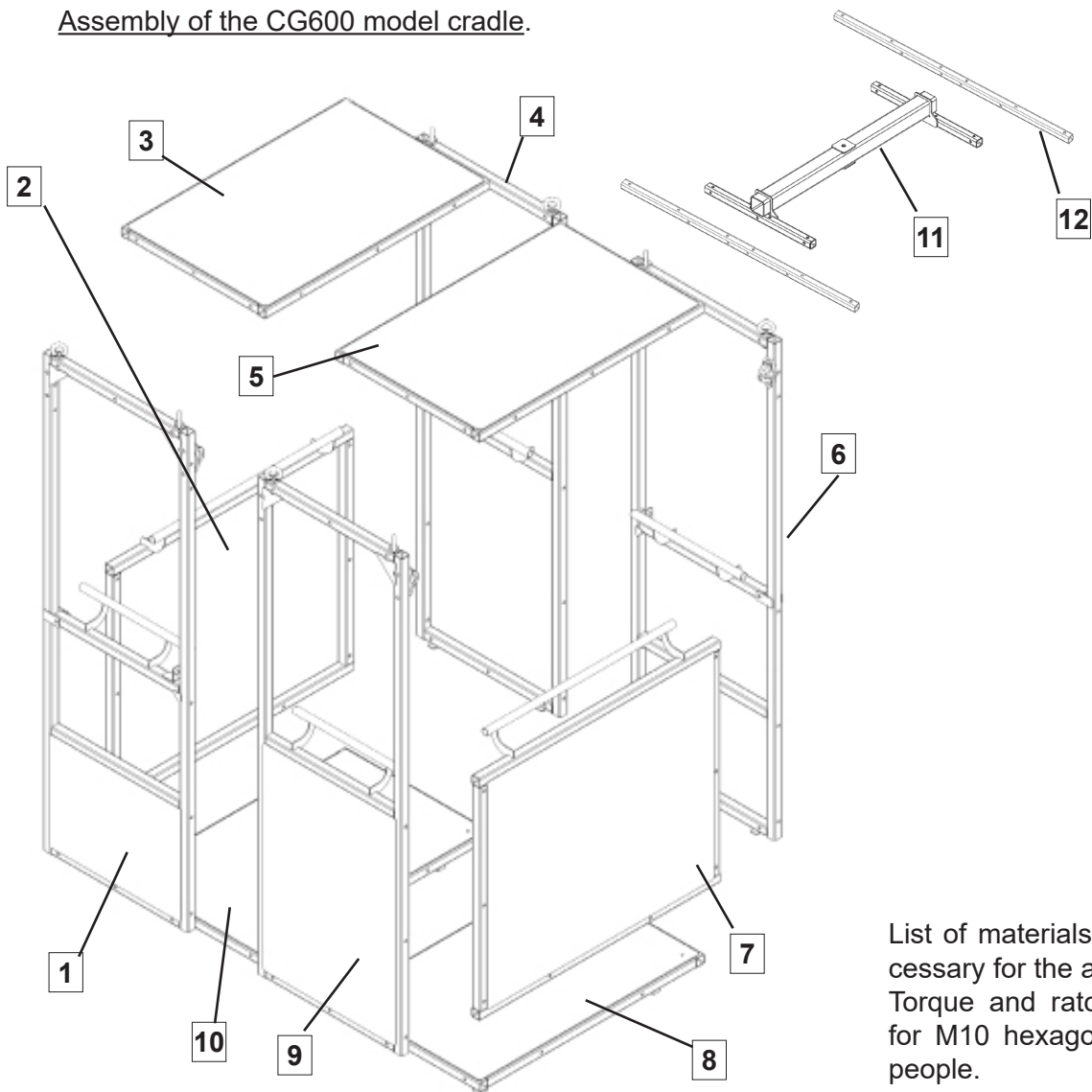
4-Assemble the high side panel with door (1) with 9 T1 fasteners.

5a-For cradle without roof protection: Assemble the roof (3) with 6 T1 fasteners.

5b-For cradle with roof protection: Assemble the central support (7) with 6 T1 fasteners.



Assembly of the CG600 model cradle.



List of materials and tools necessary for the assembly:
Torque and ratchet wrenches for M10 hexagonal screws. 2 people.

	DESCRIPTION	INDICATIVE TORQUE SETTING	U.
T1	DIN931 M10x100 8.8 Screw+ DIN985 Nut + 2 DIN125 Washers	36 Nm	56

For cradle's assembly with 5 people follow the next steps:

- 1-Assemble the high side panel (4) high side panel with door (6) with 3 T1 fasteners.
- 2-Assemble the low side panel (2) with 3 T1 fasteners.
- 3-Assemble the floor panels (10) y (8) with 10 T1 fasteners.
- 4-Assemble the other low side panel (7) with 5 T1 fasteners.
- 5-Assemble the high side panel (9) to the high side panel with door (1) with 15 T1 fasteners.
- 6a-For cradle with roof protection: Assemble the roofs (3) and (5) with 15 T1 fasteners.
- 6b-For cradle without roof protection: Assemble the central support (11) and the support adapters (12) with 20 T1 fasteners.

6.3-Accessories for lifting the load



DANGER

Hurts for wire ropes manipulation.	Danger of cuts and scratches.
Risk of wounds and injuries due to fall of objects, fall from different level and / or breaks.	Danger of death due to fall of objects, fall from different level and / or breaks.
Risk of wounds and injuries due to fall of objects, fall from different level and / or breaks.	<ul style="list-style-type: none"> -Use safety gloves for manipulate the wire ropes. -Only use accesories specified by the manufactures. -Ensure that the safety factor is appropriate. -Avoid the loop's formation at the wire ropes when manipulating. -Place the platform in dead weight under the suspension.

The cradle for crane must be attached to the crane hook by a flexible load lifting accessory, consisting of steel cables according to EN13414-1 standard, or by chains in accordance with Standard EN818-4, having a safety factor of at least:

- 8 x (cradle dead weight + nominal capacity) for chains; and
- 10 x (cradle dead weight + nominal capacity) for steel cables including their terminations.

The dead weight + nominal capacity of cradle for crane CG300 model is 450kg and for the CG600 model is 850kg.

Accessories for lifting the load must be anchored to the cradle so that only can be disassembled using tools, such as shackles with nut and safety pin.

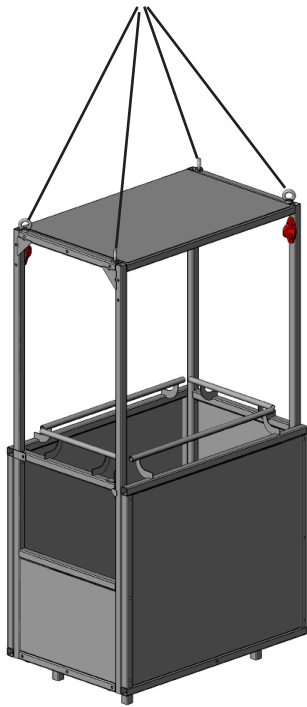
For cradle with roof protection: The lifting accessory is an 4-strands octopus of Ø10mm wire rope sling, 1.5m length, shackles with nut and pin and lifteye.

For cradle without roof protection: The lifting attachment is a simple cable lifting sling Ø12mm, length 1.5m, with shackles with nut and pin and lifteye.

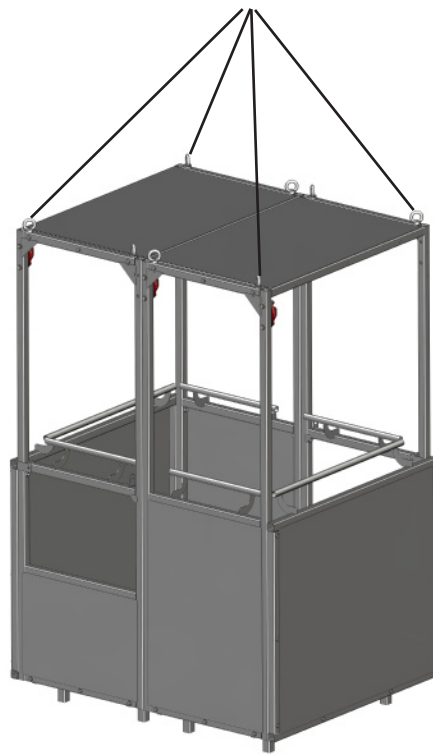
Aluminum ferrules EN 13411-3 are used as cable termination.

It is forbidden the use of different lifting accessories than those provided by the manufacturer.

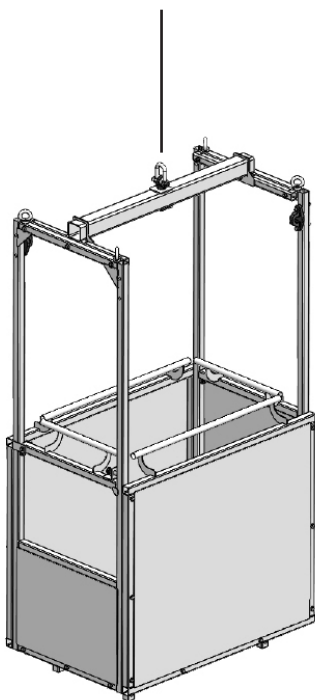
Lifting accessory lifteye



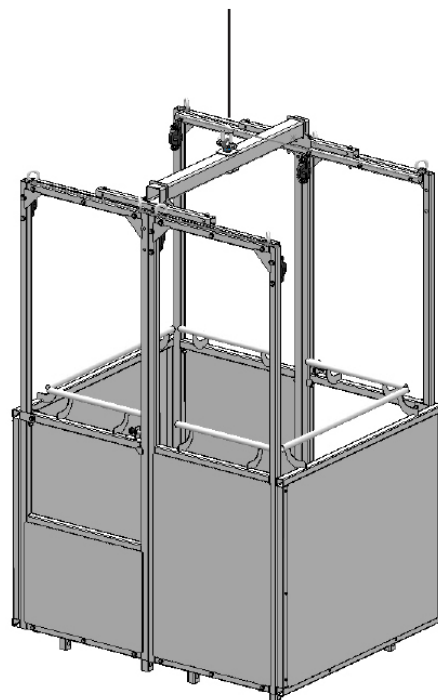
Lifting accessory lifteye



Lifting accessory lifteye



Lifting accessory lifteye



7-Safety devices

In order to guarantee a correct working order of the cradle for crane and safety for the workers, the cradle has the follow safety devices:

7.1-1m Handrail

1.1m handrail, keeps the user at a safe distance from the outer surface of the cradle to reduce the risk of entrapment.

7.2-1m Basefront

1m basefront, reduces the risk of objects falling from the cradle and reduces the risk of entrapment by the user of the cradle..

7.3-Anti slipping floor

Slip floor completely closed to avoid user and objects falls from the cradle.

7.4-Anchoring points under EN795

The cradle is equipped with an anchor point according to standard EN795 for the user on the cradle to anchor the sling from his harness.

7.5-Legs

The cradle has 4 support legs to avoid the danger of crushing.

7.6-Optcional ceiling

The cradle is optionally equipped with a roof to protect the occupants in case of risk of falling objects on it.

8-Operating the cradle for crane

8.1-Preliminary checks

- a) Use only lifting accessories that meet the specifications of section 6.3.
- b)
- c) Ensure that the load over the platform not exceeds the weight load limit including snow, ice, materials...
- d) It is obligatory for the operators on the cradle to be equipped with harnesses and anchor points anchored to EN795. In addition, all workers must be equipped with all necessary PPE (harness, boots, helmet, etc.). It forbidden to anchor to the cradle anchor point and to an independent life line at the same time.
- e) It is obligatory to sign correctly the floor's area susceptible of objects fall (tools, materials...) used at the platform.
- f) The equipment is destined to be used in luminous areas (natural or artificial). In case of use artificial illumination, the worker must dispose with enough light.
- g) Ensure that the temperature of the environment is over -10°C and under $+55^{\circ}\text{C}$.
- h) Don't work in case of hard wind (superior to 50 km/h) or storm.
- i) When the work is finished, the responsible of the work must place the platform out of service and switch off the power supply.

It is forbidden to:

- a) Use the cradle with lifting accessories that do not meet the specifications described in Section 6.3
- b) Overload the platform.
- c) Loads over the people

In some countries of the European Union is obligatory an exam of the commissioning, before the works, by an authorized organism.

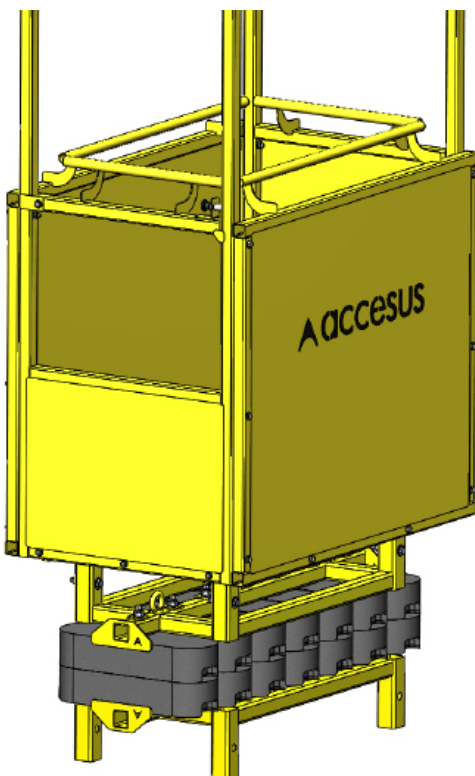
8.2-Specific test

NOTE

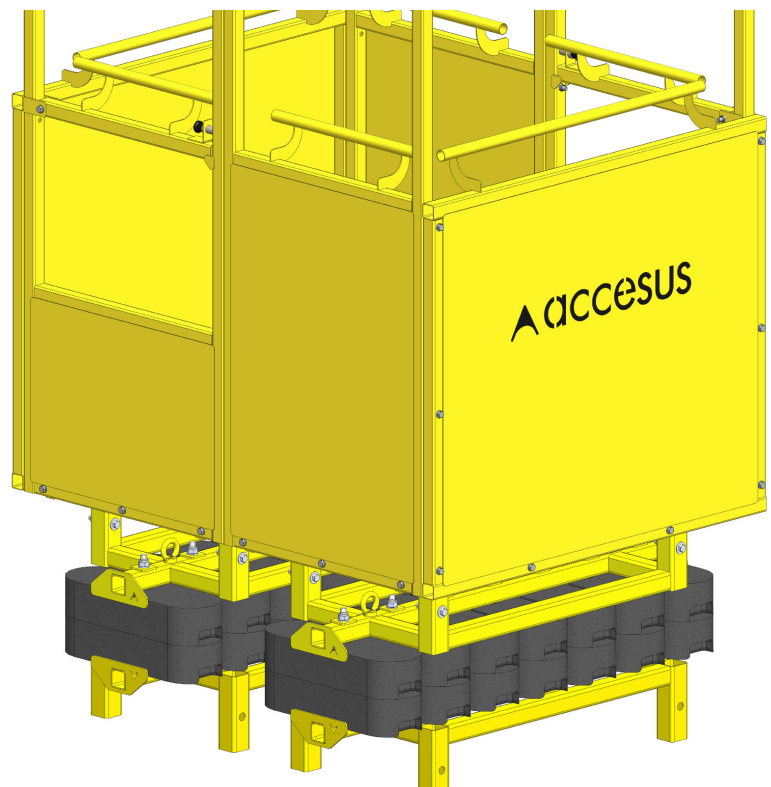
To check the safety of the system, a specific test must be carried out before the operation of lifting people in exceptional use and in each use or location (in large works it is not necessary to repeat it in each change of location, but it will be determined in the planning), at least with the expected load and from the ground to each of the operation points. It must be checked that there are no interferences, the systems work properly and that the total load is always below 50% for fixed cranes and 40% for mobile cranes of the limit of each configuration. After testing, the following must be verified:

- The set is safe and the cradle is balanced
- The support base of the crane
- Cables, pulleys, cradle fixing elements, guides, etc.
- Operation of protection devices.

To facilitate this specific test we have a tool that facilitates this maneuver. It is a tool that is fixed to the cradle by its bottom and facilitates the hooking of the load to the cradle and the execution of the maneuvers in a safe and systematic way.



tooling for testing CG300



tooling for testing CG600

These tools are designed to fit the cradle CG300 (1u) and / or CG600 (2u). They have eyebolts to move them by crane and feet to transport them with pallet truck.

8.2-Rates capacity


IMPORTANT

The loads are calculated like this:

- Each person is calculated with a weight of 80 kg + 40 kg for tools and materials.

The load must be distributed uniformly all over the platform.

LOAD CAPACITY		
Model	CG300	CG600
Number of people	2	5
Weight load cap. (kg)	300kg	600kg
Dead weight (kg)	150kg	250kg



8.3-User information

The combination of crane and suspended cradle and must be handled only by trained personnel to make safe use of the equipment, including operational procedures for evacuation in case of a failure in the power supply system or control knobs.

Lifting and suspension must be performed under controlled conditions and under the direction of an assigned person to the task.

A crane operator must always be present in the ordinary position control of the crane, when the cradle is in use. It must be provided at all times during the lifting process, a means of visible and audible communication between people who are in the cradle and crane operator.

The necessary equipment for emergency rescue must be available at all times during the lifting process.

Both the crane operator and the person in charge of signaling the maneuver must not be entrusted with additional tasks during the process. During this process, they must only operate the crane or operate only the cradle.

Accessories for lifting the load for cradle must not be used for other tasks.

It must be stopped any machine that can be operated simultaneously in the same place and with which there is a risk of collision.

It must be avoided as far as possible any unexpected movement of the basket, for example by guide wires or anchor.

Suspended cradle, hook, closure, and accessories for lifting the load must be inspected before use.

If the suspended cradle will be used through openings, measures should be taken against the risk of jamming or crushing.

Information for the crane operator:

All movements should be done gently and at low speed.

Information for users in the cradle:

It must procure that the distribution of users in the cradle is as symmetrical as possible.

The users in the cradle must ensure the safety harness to the anchorage devices. The length of the device between the anchors and the harness should be 1m as maximum.

Do not exceed the rated capacity of the cradle 300kg for 2 people CG300 model and 600kg for 5 people CG600 model

Any type of material or tool must ensure, especially, against rollover displacement and falls

Occupants must keep all body parts inside the suspended cradle during lifting, lowering and positioning, to avoid attachment points.

The occupants of the basket must not rest or work from the rail, or the lateral protection or any protection element.

The cradle must be positioned on a firm surface for the entry and exit from it.

Information for work from the suspended cradle

Any hose or electrical cable installed in the cradle must be connected so as not to interfere with the safe operation of the cradle.

Any guide wire rope installed in the cradle must be connected so as not to interfere with the safe operation of the cradle.

Electric cables or hoses as guide wires must never be used.

When it is carrying out an electric welding from the cradle, the necessary measures must be taken when it is deposited on ground to prevent the crane and / or its cables do not become electrically conductive.

9-Residual risks not covered by the design of the cradle

- The platform is not equipped with an anti-collision device which stops automatically the ascent or descent in case of obstacle.
The worker must verify visually if there are any obstacles in the trajectory.
- Don't work with wind superior to 50 km/h (14 m/sec).
- It's forbidden to work in case of strong wind or storm, ice, snow, fog, sleet, or adverse weather conditions that may affect the safety of personnel.

10-Maintenance



DANGER

Risk of wounds injuries or death due to fall of objects, fall from different level, breaks and/or electric contact.	Danger of death due to fall of objects, fall from different level and / or breaks. Danger of death by electric contact.
	-In case of breakdown, stop the works immediately. -Identify the cause and solution the breakdown. -Perform annual checkings.

10.1-Annual check

The equipment described in this manual must be checked annually by the manufacturer maintenance department, by an authorized repairer, or by a competent person.

10.2-Regular maintenance

The simple maintenance works described on next can be realized by unqualified personnel.

10.2.1-Checking before each use

- Check the the torque and condition of fasteners.
- Check door operation, opening, closing and locking.
- Check the condition of structural components: oxidation, deformation, cracks, fisures, breaks.
- Check that the lifting accessory doesn't have broken threads, deformation, crushing, oxidation, etc.

10.2.2-Regular maintenance

- Lubricate hinge and the door closure.
- Check the torque and condition of fasteners.
- Check the condition of structural components: oxidation, deformation, cracks, fisures, breaks.
- Check that the lifting accessory doesn't have broken threads, deformation, crushing, oxidation, etc.

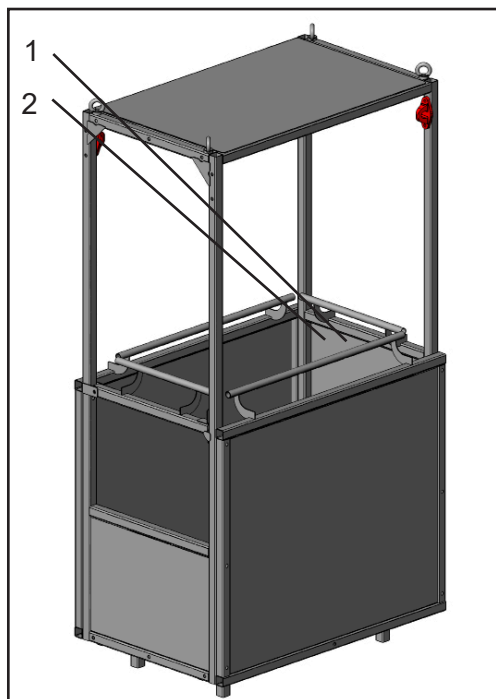
In case of cracked welds, deformation or rust, the cradle must be checked by the manufacturer maintenance department or an authorized repairer.

11-Spare parts

Indicate model, serial number and description of the platform

11.1-Nameplates and labels

Check the location of the labels.



Platform nameplate (1)

Modelo / Model

ref.: 200007-003

CESTA COLGANTE GRUA CG

Nº serie / Serial nº **200007-1770**

Año / Year **2017**



Modelo / Model	CG300	CG600
Nº de personas / Nº people	2	5
Cap. de carga / Weight Load Limit	300kg	600kg
Peso propio / Dead weight	150kg	250kg

Fabricante / manufacturer



c/Energia 54
08940 Cornellà de Llobregat, Barcelona-SPAIN
Telf.: (+34) 93 475 17 73
accessus@accessus.es www.accessus.es

Warnings label (2)

WARNINGS OF USE

- This platform is destined for a professional use. Only people with an adequate formation and suitable for works at heights are authorized.
 - For safety, it's essential and mandatory for the worker to know and apply the instructions described at the Instructions Manual delivered with the platform.
 - Don't exceed the Weight Load Limit or the number of people indicated at the platform's nameplate.
 - Stop the works and put the platform on the ground if wind speed exceeds 50km/h, measured in the most exposed place. Don't work with storm weather.
- Lifting accessories must meet the specifications described in the instruction manual.
- Before each start up, the equipment must be verified by a competent person..
- A maintenance operation must be realized annually.



ref.: 200007-002

12-Historic

Indicate the Serial Number of the machine and his components.

Machine or component	Serial number
Cradle for crane CG	
Date of start up	

Date	Maintenance according to Sec. 11	Condition OK	Condition NOT OK	Identification and Signature



C/ Energia 54
08940 Cornellá de Llobregat (Barcelona) SPAIN
Tel: 93 328 37 55
e-mail: accessus@accessus.es
www.accessus.es