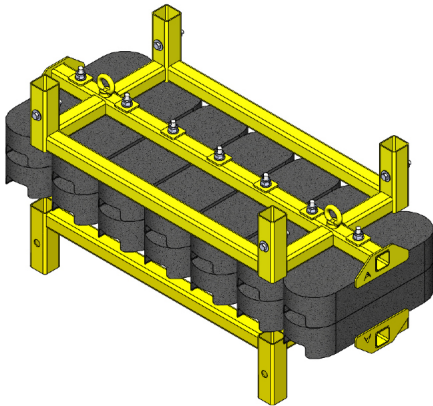


TECHNICAL DATA



Useful load test for **models CG300 , CG600 WITH and WITHOUT ROOF** designed to perform a specific test before the operation of lifting people in exceptional use and in each use or site at least with the intended load and from the ground to each of the operating points.

The test must check that there is no interference, the systems are functioning properly and that the total load is always below 50% for fixed cranes and 40% for mobile cranes of the limit of each configuration.

Verify:

- The set is safe and the basket is balanced.
- The crane support base
- Cables, pulleys, basket fasteners, guides, etc.

It is a tool that is fixed to the basket at the bottom and facilitates the attachment of the load to the basket and the execution of the manoeuvres in a safe and systemic way.

For the **model CG300 WITH and WITHOUT ROOF** 1 module is required.

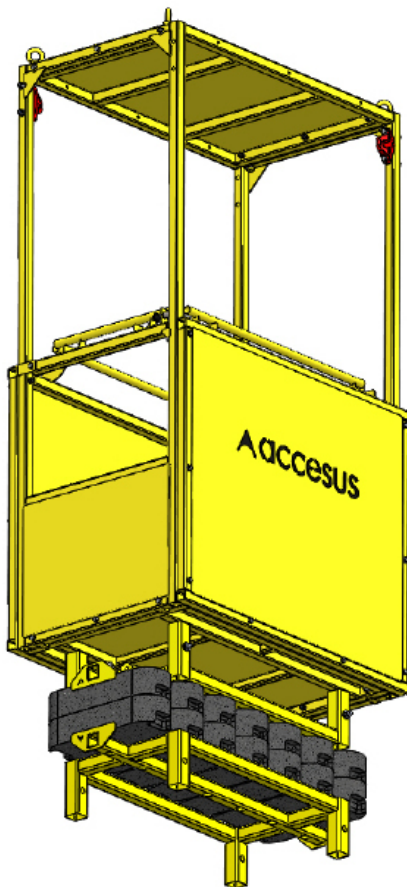
For the **model CG600 WITH and WITHOUT ROOF** 2 modules are required.

The tool consists of painted steel elements. The assembly is done by screws for maximum safety

Its modular and removable design allows assembly in the basket in configuration for 2 or 5 people, facilitating and optimizing its transport and storage.

They have rings to move them by crane and feet to be able to transport them with pallet truck or construction bull.

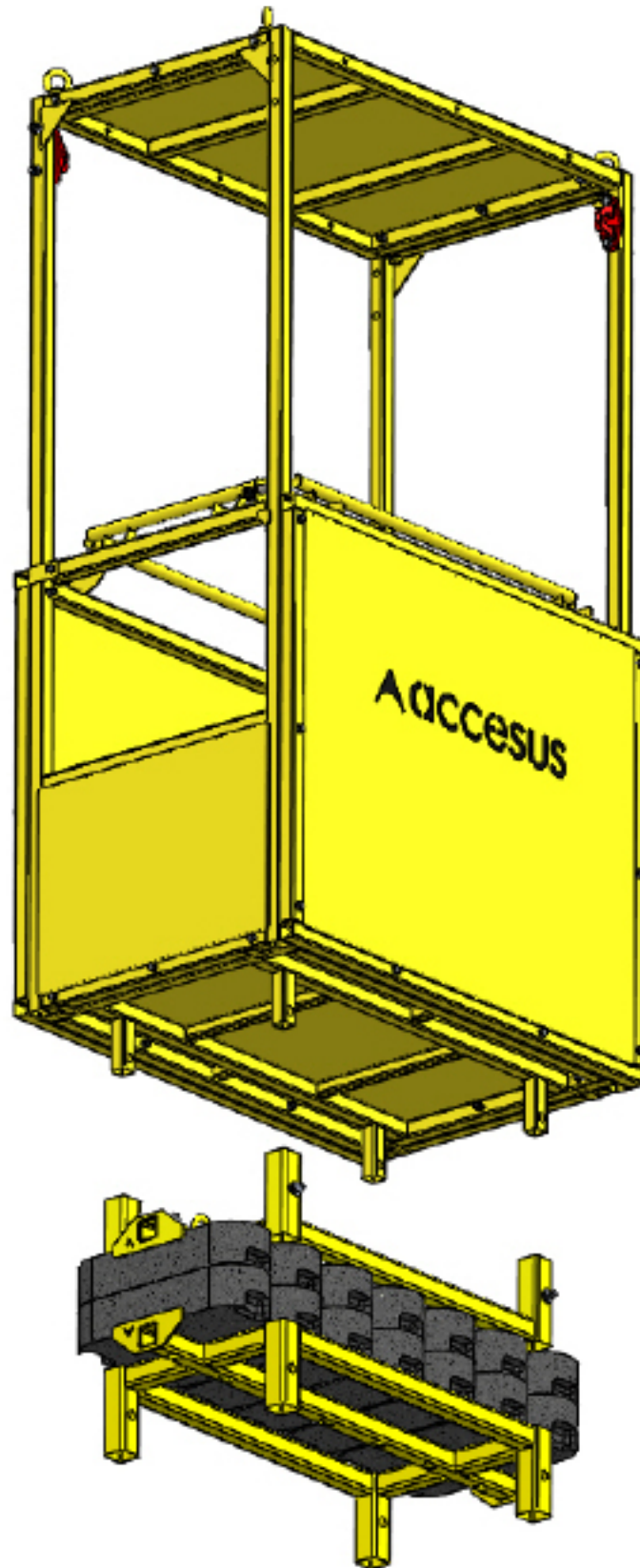
Tests to meet the requirements of **NTP 956**.



TECHNICAL FEATURES

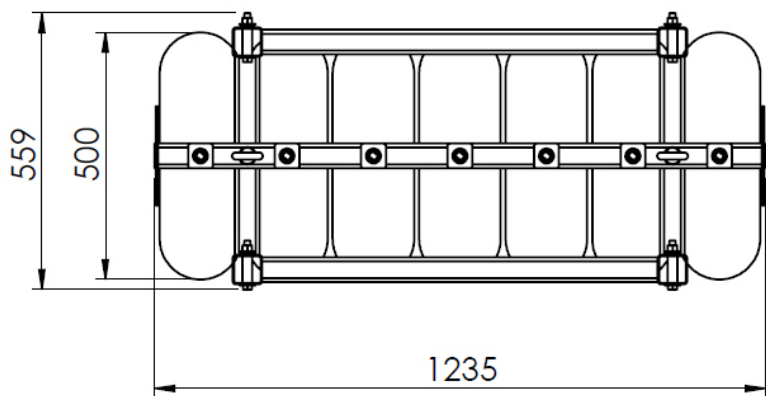
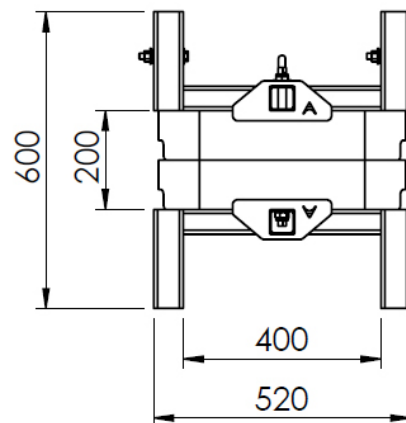
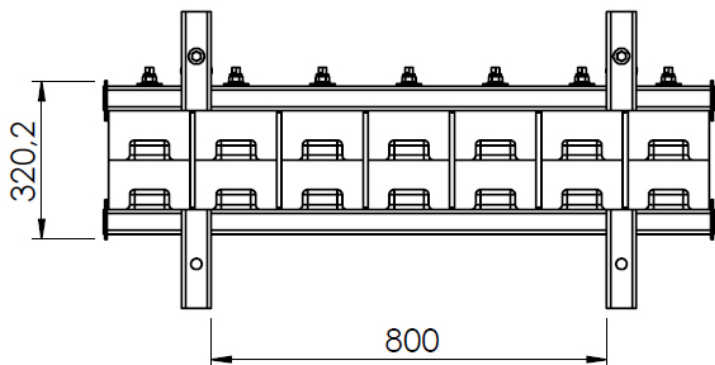
Own weight	375 Kg
Material	Painted steel
Counterweights	High density concrete

MAIN COMPONENTS



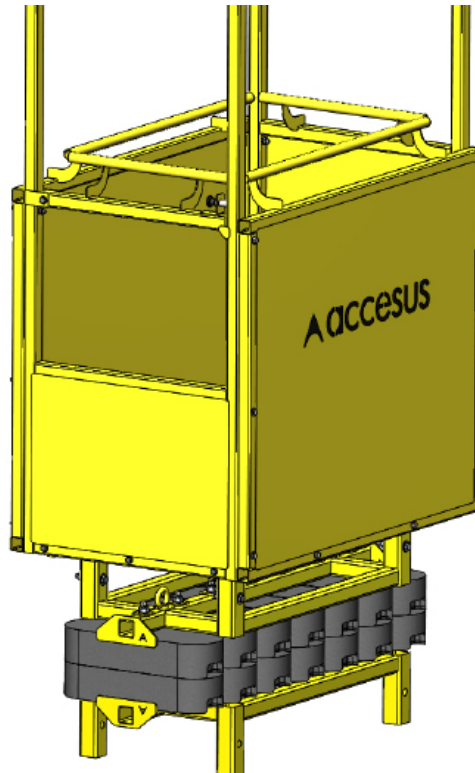
OVERALL DIMENSIONS

1 module



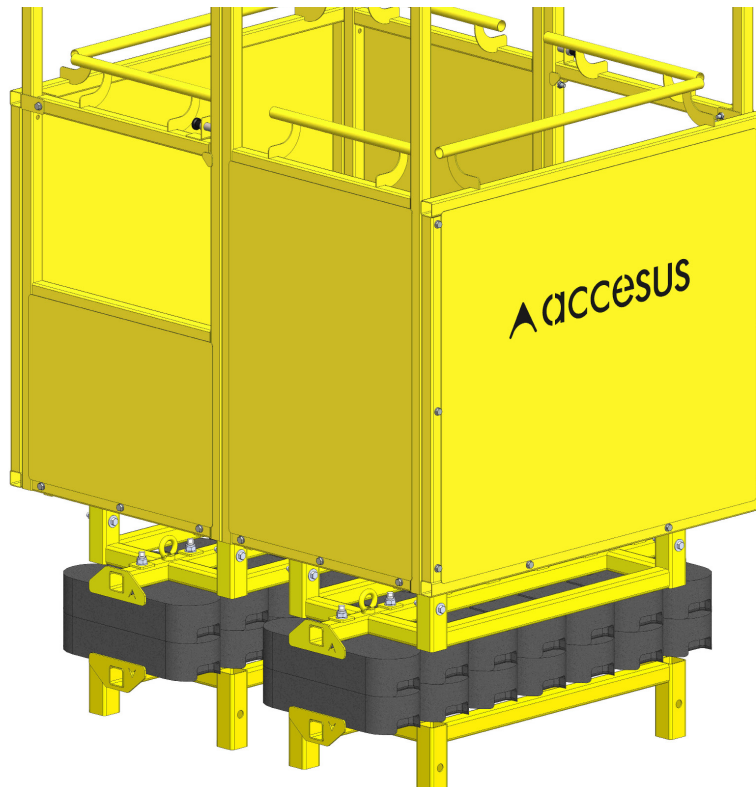
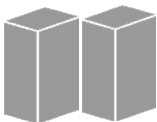
CG300

x1 module



CG600

x2 modules





Baskets available in yellow and pink colors.