

#### TECHNICAL DATA

Suspended basket for cranes, **models CG300 and CG600 ROOFLESS**, designed for man-riding as well as material lifting. Ideal to anticipate possible rescues for workers in height.

**CG300 ROOFLESS model** is made of 1 module for 2 people. It can be extended into CG600 cradle (2 modules) and CG900 cradle (3 modules with optional rescue stretcher).

**CG600 ROOFLESS model** is made of 2 modules for 5 people. It can be converted into 2 units of CG300 cradle. It can be extended into CG900 cradle (3 modules with optional rescue stretcher).

The basket is made of steel painted components and its construction is modular. For maximum safety reasons, all joints are bolted.

Disassembled in pieces passes through  $\varnothing 1200\text{mm}$  manholes.

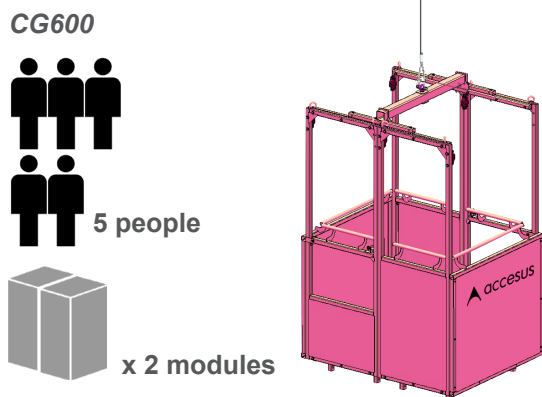
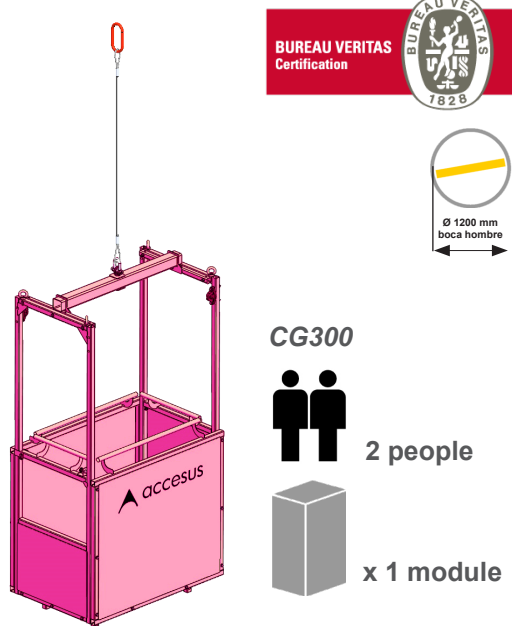
Its modular design, easy to assemble and disassemble, facilitates a quick configuration for 2 or for 5 people. Furthermore transport and storage is easy and cheap due to its flat packaging design.

All man-riding baskets are equipped with anchoring point according to EN795 standard for each users.

The baskets are equipped with access door with automatic locking and blocking system, handrails and closures, internal handrail to avoid trappings, anti-slippery, roofless to improve the passage, etc. Includes steel sling with shackle and lifteye.

The **baskets for crane CG300 and CG600 ROOFLESS** are delivered with instructions manual, certificate and includes load and identification nameplates.

According to **EN14502 standard**.



#### SAFETY DEVICES

- Anchoring points according to EN795, to provide an extra safety to working men.
- Door equipped with lock and automatic blocking system.
- Anti-slippery floor.
- Support legs.
- Safety coefficient 2 (minimum).
- 1,10m height handrails.



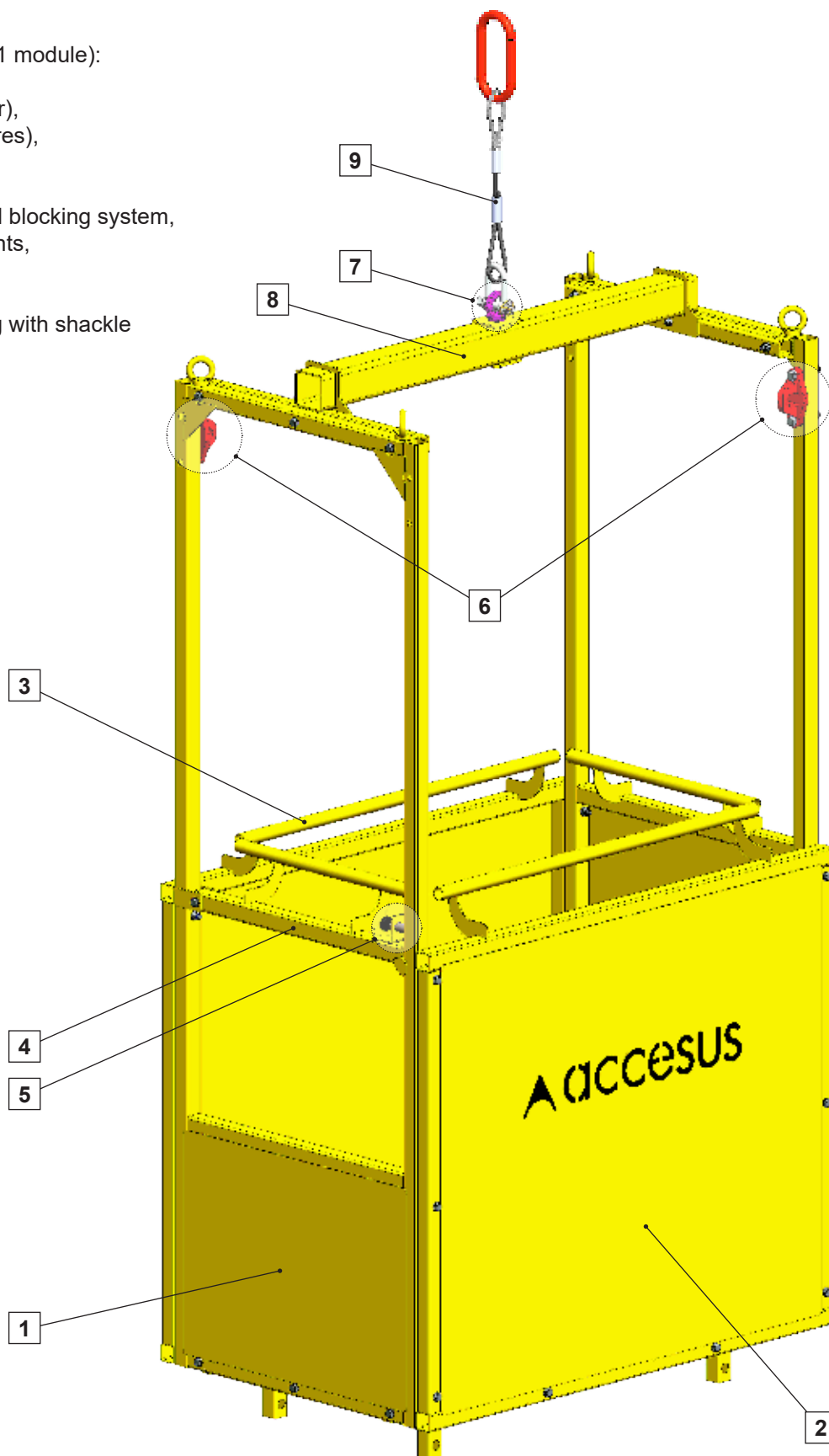
#### TECHNICAL FEATURES

Man basket crane roofless	CG300	CG600
Maximum number of user	2	5
Working Load Limit	300kg	600kg
Dead weight	150kg	250kg
Maximum working height	Unlimited	
Total height of cradle	2,5m	
Handrail height	1,1m	
Number of access doors	1	2

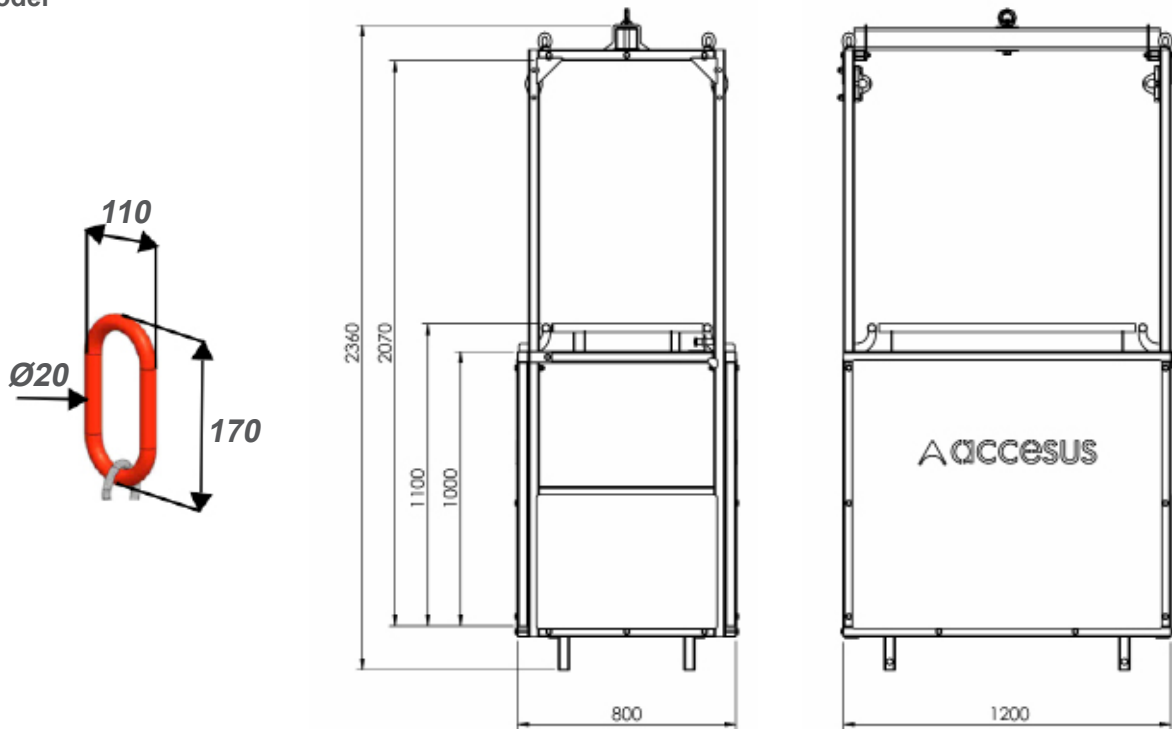
**MAIN COMPONENTS**

 Model example *CG300* (1 module):

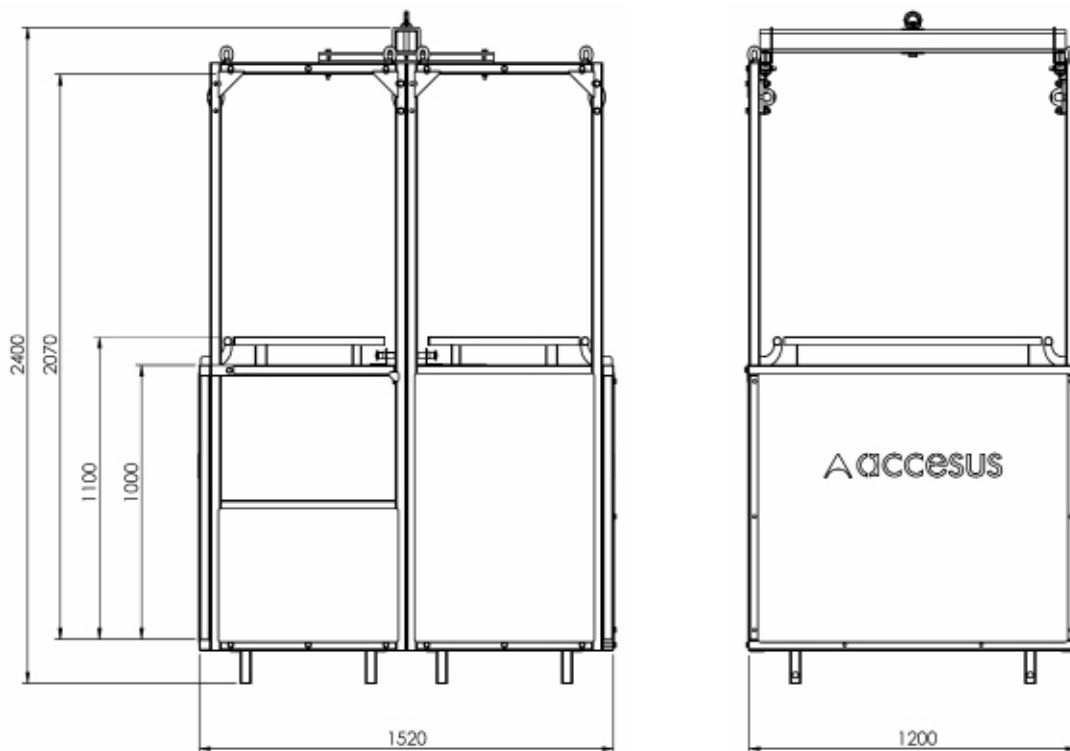
- 1 - 0,5m baseboard (door),
- 2 - 1m baseboard (closures),
- 3 - 1,1m handrail,
- 4 - Access door,
- 5 - Automatic locking and blocking system,
- 6 - EN795 anchoring points,
- 7 - Rotating eyebolt,
- 8 - Structural roof,
- 9 - 1,5m Steel lifting sling with shackle and lifteye.

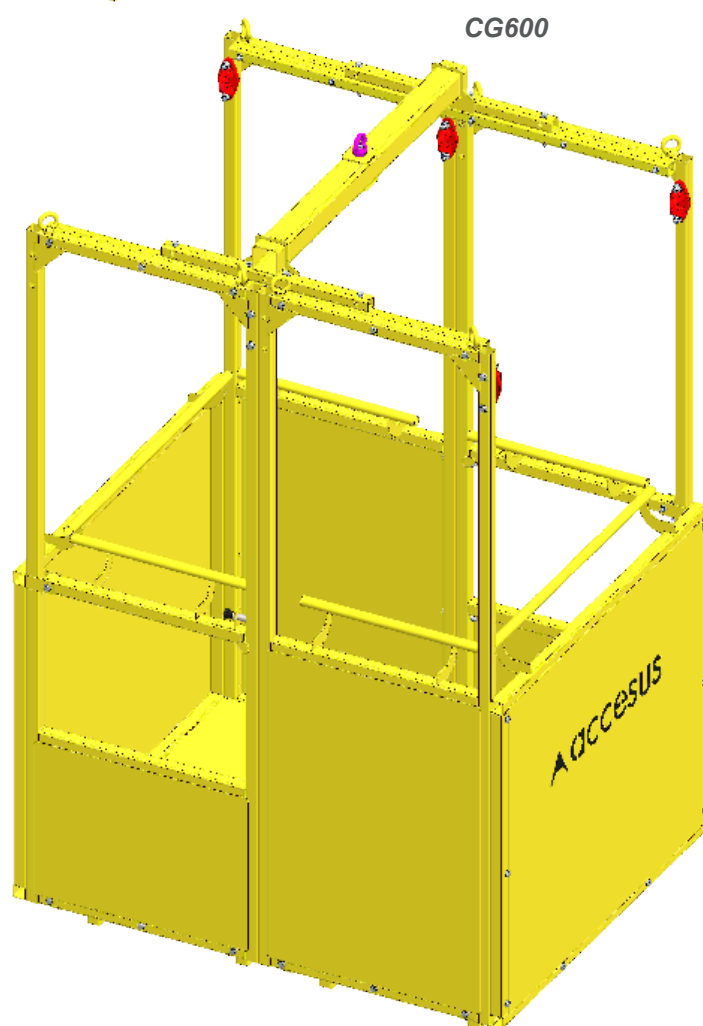
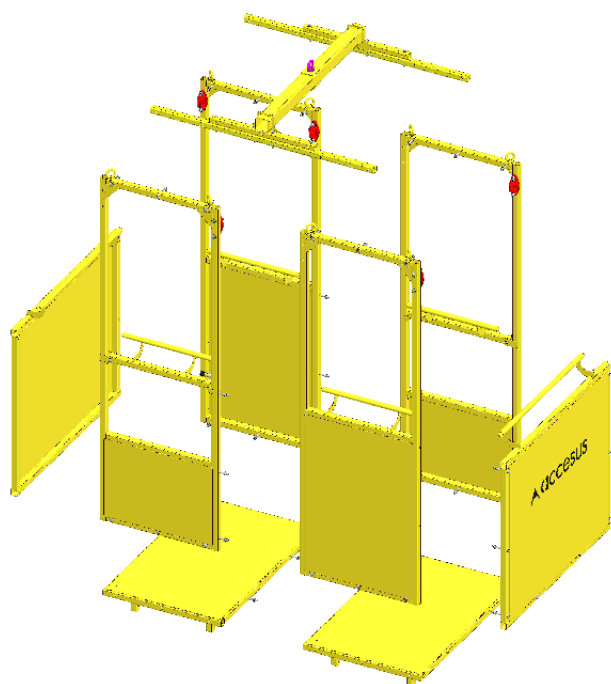
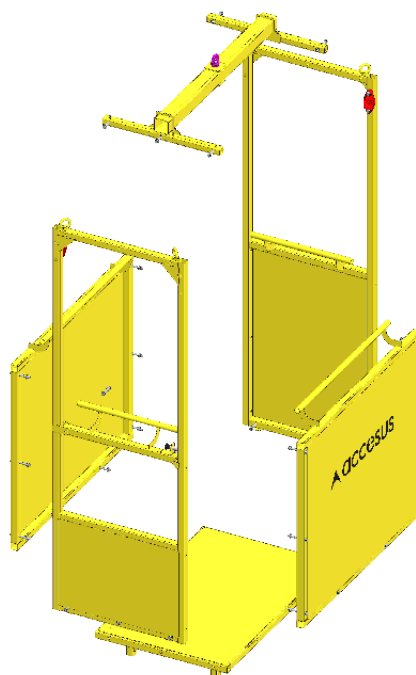
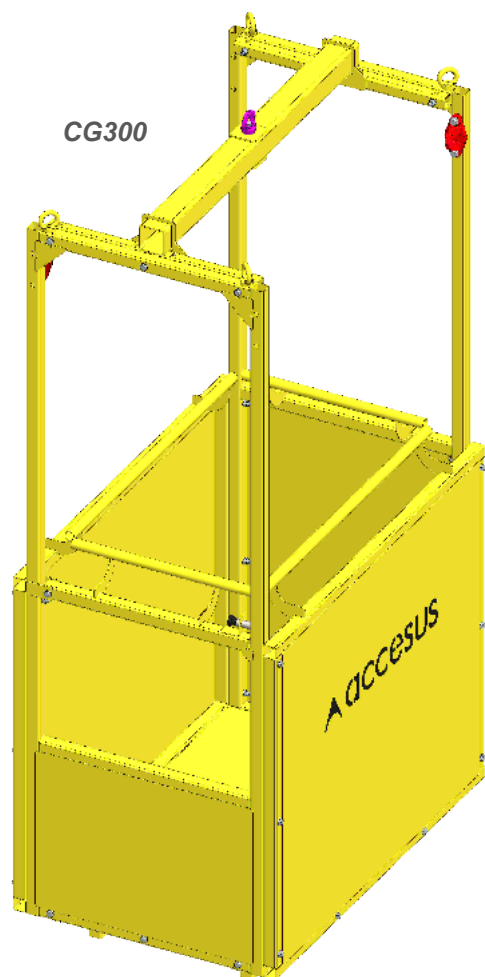


OVERALL DIMENSIONS  
 CG300 model



CG600 model





**CG600**



**CG300**



**CG300**

**Structural roof detail**



Baskets available in yellow and pink colors.



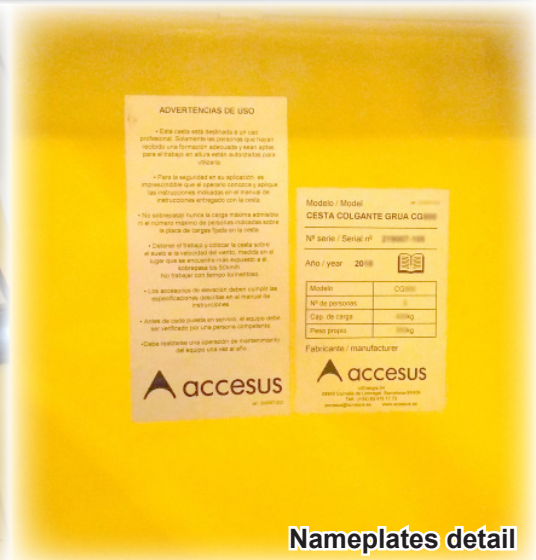
**CG300**  
**+load test tool**



**Load test tool detail**



**Closed door**



**Nameplates detail**

**EN795**  
**anchoring point detail**



**Door opening**

Baskets available in yellow and pink colors.