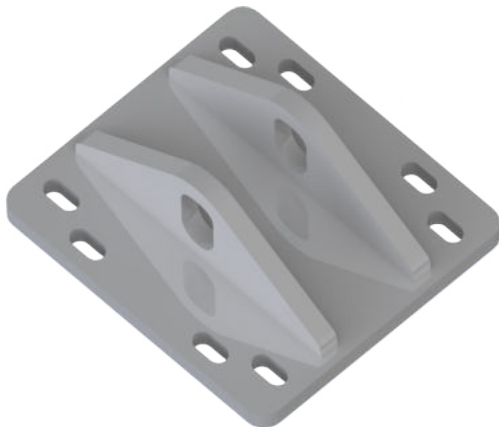




PLACFIX ANCHOR PLATE FOR SUSPENSION OF SCAFFOLDING



PLACFIX Anchor plate for suspension

TECHNICAL INFO

ACCESUS PLACFIX anchor plate for suspension of platforms, cabins and hanging chairs.

ACCESUS PLACFIX plate is fixed to the underside of slabs (forged structure, concrete slabs, etc.) which must be horizontal

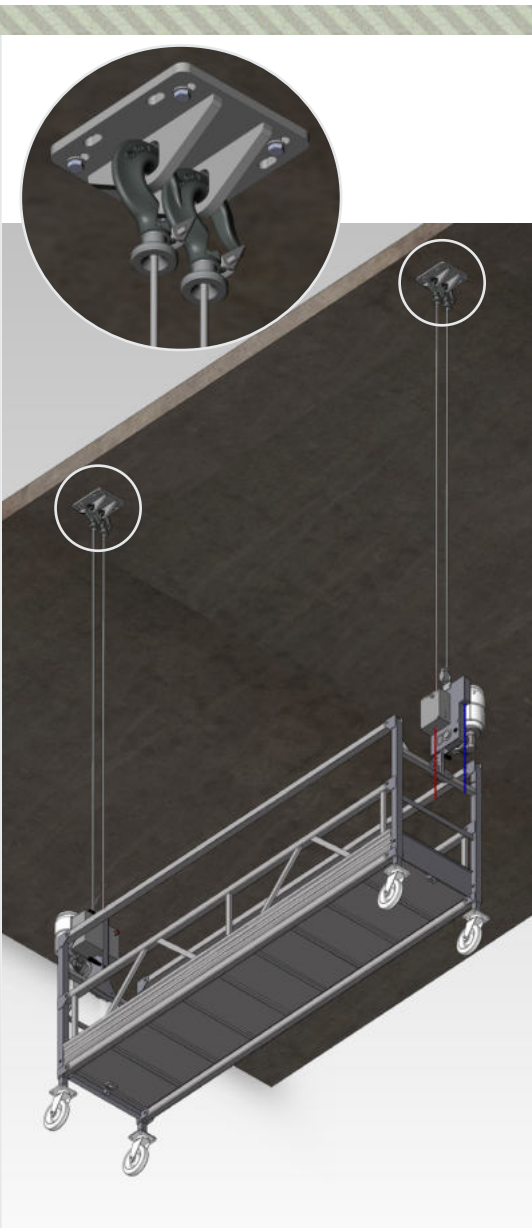
The plate ACCESUS PLACFIX can be fixed to the slab in 3 different ways:

- 1.- By mechanical anchorage with 4 screws M12 Hilti type.
- 2.- By chemical anchorage with 4 screws M12 Hilti type.
- 3.- With counterplate and 4 M12 threaded rods.

On the "ears" of the plate will be housed the hooks of the end of the suspension wire rope of the suspended scaffolding.

TECHNICAL FEATURES

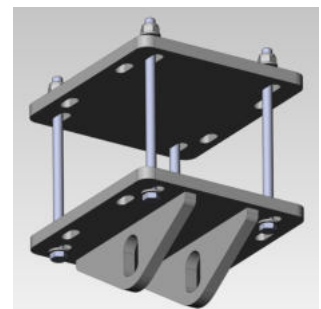
- Compatible with lifts whose maximum load capacity is: 300 - 400 - 600 - 800 kg.
- Made of galvanized steel
- Dimensions: 250 x 225 x 92 mm.
- Screw anchorage M12.
- Weight of the plate: 9 kg. Weight of counterplate: 6,5 kg.
- According to EN 1808.
- EC marked.



Fixing by mechanical anchor (1)



Fixing by chemical anchor (2)



Fixing by Threaded rods and counterplate (3)

TYPES OF FIXATION TO THE SLAB

